



SUSTAINABILITY
MATTERS.

sycamoreLED.com



BATHROOM LIGHTING 2024



BALMORAL

TUNABLE LED MIRROR CABINET WITH BLUETOOTH SPEAKER, SHAVER SOCKET, USB CHARGING & DEMISTER



NOUVEAU NOIR
5 YEAR GUARANTEE

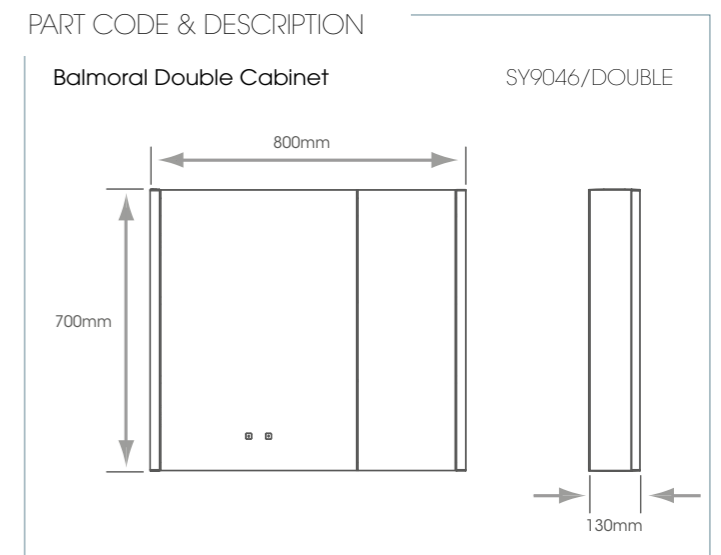
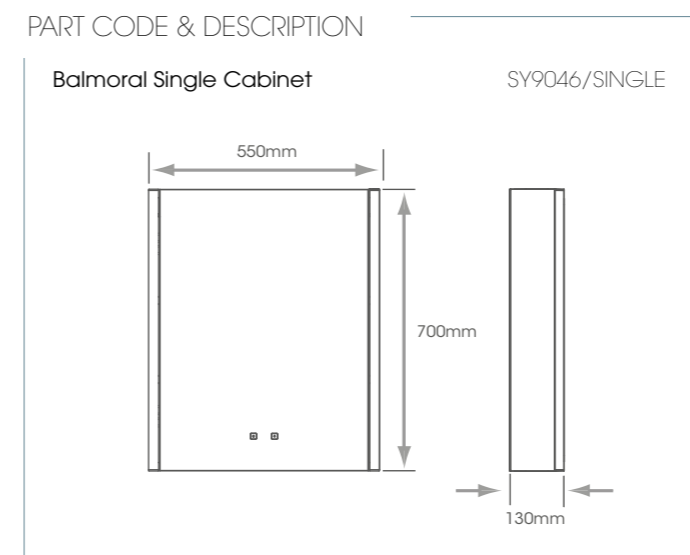
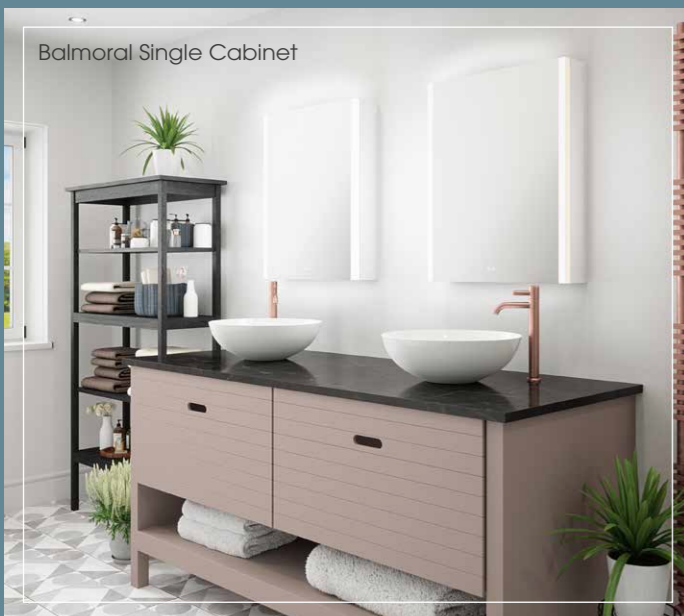
This stunning single or double door illuminated LED Mirror cabinet is part of our Nouveau Noir range of matt black light fittings and accessories, and features a whole host of features. Complete with Bluetooth Speaker, a USB charging port and a built-in shaver socket, the Balmoral covers all requirements.

Internally, the Balmoral has a stylish matt black design, with a mirrored panel on the inside of the door and at the rear of the cabinet, along with two adjustable height glass shelves for storing bathroom accessories. Externally, the cabinets have mirrored panels to both sides, as well as both under and over cabinet illumination for a sleek look.

The diffused illuminated border to the front of the cabinets provides a uniform light output with no dark spots. The Tunable function enables users to choose the most suitable colour temperature for their décor or individual preference, warm white, natural white or cool white. It can also be dimmed to create the desired ambience.

The mirrors stay fog free due to the built-in demister pad, which switches off automatically after 30 minutes. The mirrors also have an IP44 rating making it suitable for use in a bathroom environment.

SINGLE CABINET	550mm(w) x 700mm(h)
DOUBLE CABINET	800mm(w) x 700mm(h)
	Bluetooth Speaker
	Shaver Socket
	USB Charging Points
	IP44 Rated
	Diffused Border, Under & Over Cabinet Lighting
	Touch Sensor x 2
	Tunable White
	Dimmable
	Demister
Technical Information	
Power Supply	240V
Cable Length	900mm
Guarantee	5 Years



NEW

NOUVEAU NOIR
5 YEAR GUARANTEE



BALMORAL TRIPLE



TUNABLE LED MIRROR CABINET WITH BLUETOOTH SPEAKER, SHAVER SOCKET, USB CHARGING & DEMISTER

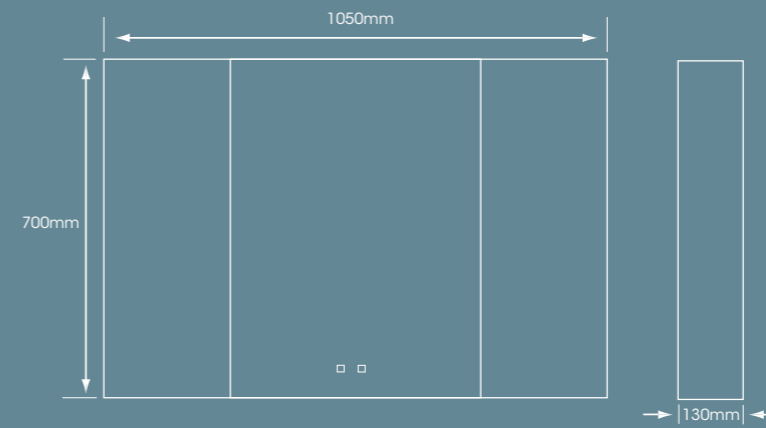
SY9046/TRIPLE

This stunning triple door illuminated LED Mirror cabinet is part of our Nouveau Noir range of matt black light fittings and accessories, and features a whole host of features. Complete with Bluetooth Speaker, a USB charging port and a built-in shaver socket, the Balmoral covers all requirements.

Internally, the Balmoral has a stylish matt black design, with mirrored panels on the inside of the doors and at the rear of the cabinet. All three doors open to reveal two adjustable shelves in each section. Externally, the cabinets have mirrored panels to both sides, as well as both under and over cabinet illumination for a sleek look.

The diffused illuminated border to the front of the cabinet provides a uniform light output with no dark spots. The Tunable function enables users to choose the most suitable colour temperature for their décor or individual preference, warm white, natural white or cool white. It can also be dimmed to create the desired ambience.

The mirror stays fog free due to the built-in demister pad, which switches off automatically after 30 minutes. The mirrors also have an IP44 rating making it suitable for use in a bathroom environment.



TRIPLE CABINET	1050mm(w) x 700mm(h)
	Bluetooth Speaker
	Shaver Socket
	USB Charging Points
	IP44 Rated
	Diffused Border, Under & Over Cabinet Lighting
	Touch Sensor x 2
	Tunable White
	Dimmable
	Demister

Technical Information	
Power Supply	240V
Cable Length	900mm
Guarantee	5 Years



CALGARY

TUNABLE LED MIRROR CABINET WITH SHAVER SOCKET, USB CHARGING & DEMISTER SY9046/SINGLE

5
YEAR
GUARANTEE

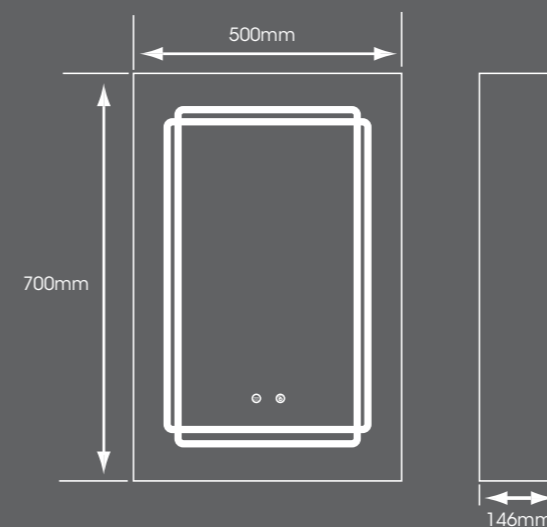


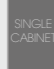








The Calgary single door illuminated LED mirror cabinet features a built-in shaver socket and a USB charging port. Externally, the cabinet has mirrored panels to either side for a sleek look.

The diffused illuminated border to the front of the cabinet provides a uniform light output with no dark spots. The Tunable function enables users to choose the most suitable colour temperature for their décor or individual preference, warm white, natural white or cool white. It can also be dimmed to create the desired ambience.

Internally, there are three adjustable glass shelves to store bathroom accessories, and a mirrored panel on the internal door.

The mirror stays fog free due to the built-in demister pad, which switches off automatically after 30 minutes. The mirrors also have an IP44 rating making it suitable for use in a bathroom environment.



-  500mm(w) x 700mm(h)
-  Shaver Socket
-  USB Charging Points
-  IP44 Rated
-  Diffused Border
-  Touch Sensor x 2
-  Tunable White
-  Dimmable
-  Demister

Technical Information

Power Supply	240V
Cable Length	600mm
Guarantee	5 Years



NEW



APOLLO

CE UK CA ROHS

TUNABLE LED MIRROR CABINET WITH BLUETOOTH SPEAKER, SHAVER SOCKET, USB CHARGING & WIRELESS CHARGER

SY9112

The Apollo single door illuminated LED mirror cabinet features built-in Bluetooth speakers, a built-in shaver socket, a USB charging port and a wireless charging point. Externally, the cabinets have mirrored panels to either side for a sleek look.

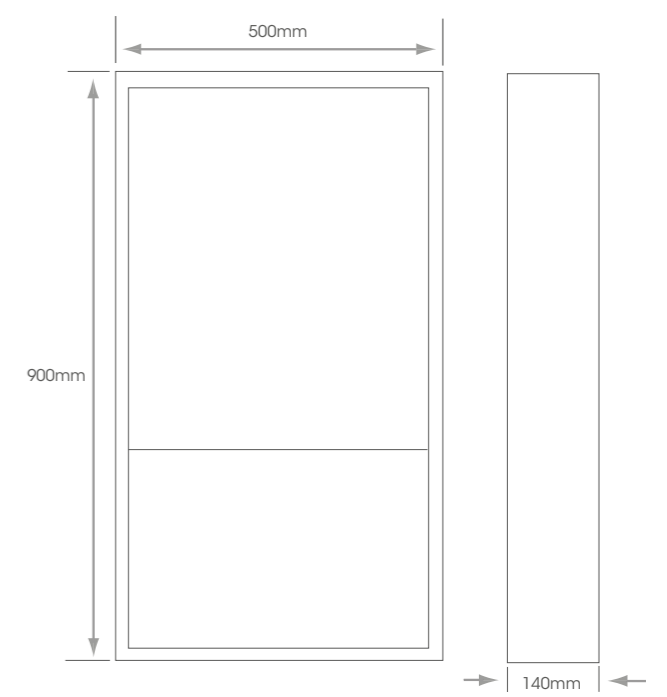
The diffused illuminated border to the front of the cabinet provides a uniform light output with no dark spots. The Tunable function enables users to choose the most suitable colour temperature for their décor or individual preference, warm white, natural white or cool white. It can also be dimmed to create the desired ambience.

Internally, there are three shelves to store bathroom accessories, and a mirrored panel on the internal door. The mirror also has an IP44 rating making it suitable for use in a bathroom environment.

Available early 2024.

	500mm(w) x 900mm(h)
	Bluetooth Speaker
	Shaver Socket
	USB Charging Points
	Wireless Charger
	IP44 Rated
	Diffused Border
	Wave Sensor x 1
	Tunable White
	Dimmable

Technical Information	
Power Supply	240V
Cable Length	1000mm
Guarantee	5 Years





5
YEAR
GUARANTEE

ATHENA

TUNABLE LED MIRROR CABINET WITH SHAVER SOCKET & DEMISTER

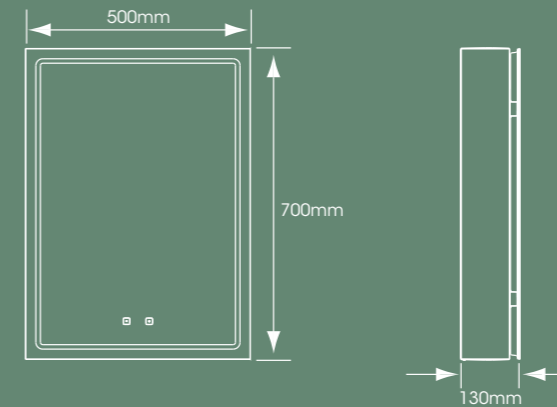
CE UKCA ROHS

SY9035

The Athena single door illuminated LED Mirror cabinet features a built in shaver socket, & three adjustable height glass shelves within the cabinet to store bathroom accessories. A further mirrored panel is situated on the internal side of the door. Externally, the cabinet has mirrored panels to either side for a sleek look.

The stylish diffused illuminated border to the front of the cabinet provides a uniform light output with no dark spots. The Tunable function enables users to choose the most suitable colour temperature for their décor or individual preference, warm white, natural white or cool white. It can also be dimmed to create the desired ambience.

The mirror stays fog free due to the built-in demister pad, which switches off automatically after 30 minutes. The mirror also has an IP44 rating making it suitable for use in a bathroom environment.



SINGLE CABINET 500mm(w) x 700mm(h)

Shaver Socket

IP44 Rated

Diffused Border

Touch Sensor x 2

Tunable White

Dimmable

Demister

Technical Information

Power Supply 240V

Cable Length 900mm

Guarantee 5 Years



Natural White

5
YEAR
GUARANTEE



HAMILTON

TUNABLE LED MIRROR

WITH BLUETOOTH SPEAKER & DEMISTER

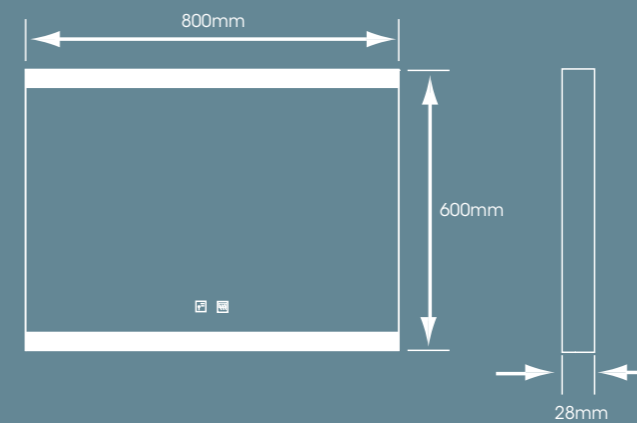
CE UKCA ROHS

SY9015/SPEAKER

The Hamilton LED Mirror features built in dual channel Bluetooth Speakers, which enable users to stream from connected devices, such as smartphones or tablets.

It also features a diffused illuminated border, which provides a uniform light output with no dark spots. The Tunable function enables users to choose the most suitable colour temperature for their décor or individual preference; warm white, natural white or cool white. It can also be dimmed to create the desired ambience.

The mirror stays fog free due to the built-in demister pad, which switches off automatically after 30 minutes. The mirror also has an IP44 rating making it suitable for use in a bathroom environment.



LANDSCAPE 800mm(w) x 600mm(h)

Bluetooth Speakers

IP44 Rated

Diffused Border

Touch Sensor x 2

Tunable White

Dimmable

Demister

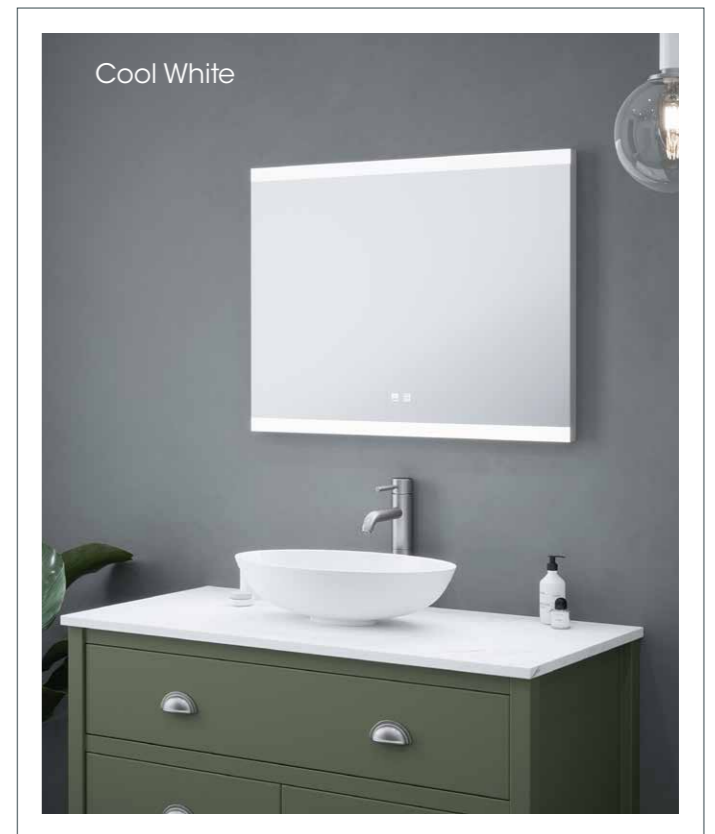
Technical Information

Power Supply	240V
Cable Length	300mm
Guarantee	5 Years

Warm White



Cool White



WINDSOR 1 & 2

TUNABLE LED MIRROR WITH BLUETOOTH SPEAKER & DEMISTER

5
YEAR
GUARANTEE



Windsor 1 Natural White

The Windsor LED Mirror features built in dual channel Bluetooth Speakers, which enable users to stream from connected devices, such as smartphones or tablets.

It also features a diffused illuminated border, which provides a uniform light output with no dark spots. The Tunable function enables users to choose the most suitable colour temperature for their décor or individual preference; warm white, natural white or cool white. It can also be dimmed to create the desired ambience.

The mirror stays fog free due to the built-in demister pad, which switches off automatically after 30 minutes. The mirror also has an IP44 rating making it suitable for use in a bathroom environment.

Portrait
Windsor 1
600mm(w) x 800mm(h)

Portrait
Windsor 2
500mm(w) x 700mm(h)

Bluetooth Speakers

IP44 Rated

Diffused Border

Touch Sensor x 2

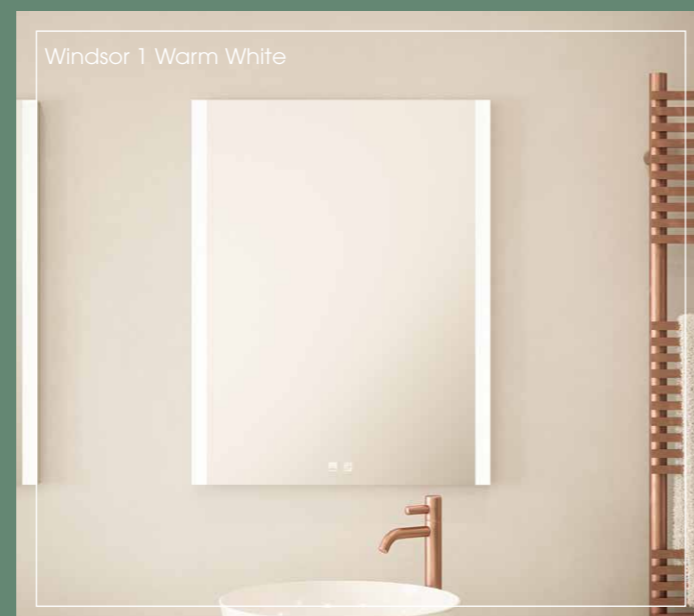
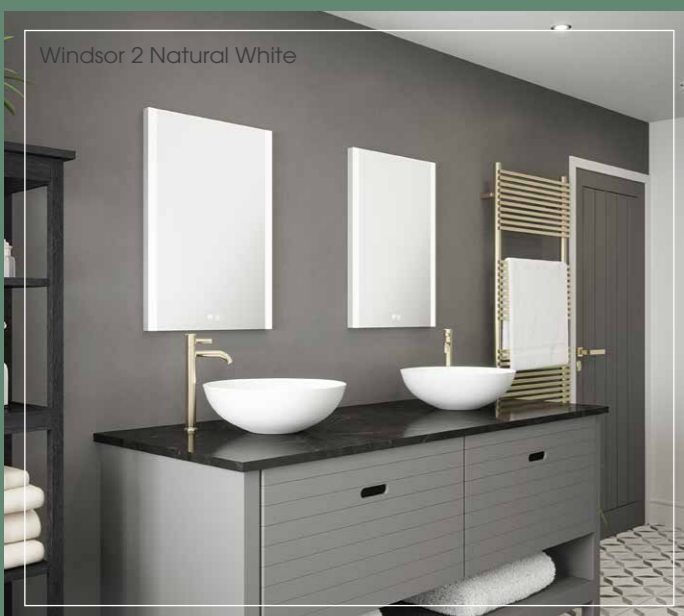
Tunable White

Dimmable

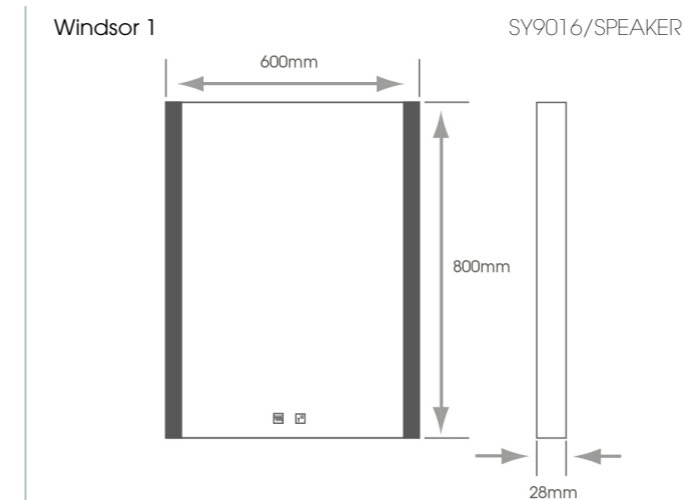
Demister

Technical Information

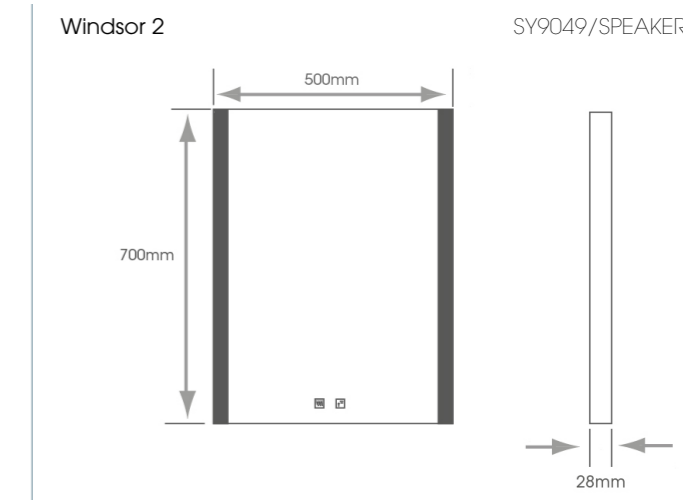
Power Supply	240V
Cable Length	300mm
Guarantee	5 Years



PART CODE & DESCRIPTION



PART CODE & DESCRIPTION



NEW

5
YEAR
GUARANTEE



Black Trim/Natural White

VALLETTA

TUNABLE LED MIRROR WITH DEMISTER



The Valletta LED Mirror features an on-trend leather strap, as well as a diffused illuminated border to all edges of the mirror, which provides a uniform light output all around the mirror with no dark spots.

The Tunable function enables users to choose the most suitable colour temperature for their décor or individual preference, warm white, natural white or cool white. It can also be dimmed to create the desired ambience.

The mirror stays fog free due to the built-in demister pad, which switches off automatically after 30 minutes. The mirror also has an IP44 rating making it suitable for use in a bathroom environment.



Brushed Gold Trim/Cool White

- 600mm(dia)**
- IP44 Rated**
- Diffused Border**
- Touch Sensor x 2**
- Tunable White**
- Dimmable**
- Demister**

Technical Information

Power Supply	240V
Cable Length	800mm
Guarantee	5 Years

Brushed Gold Trim/Natural White



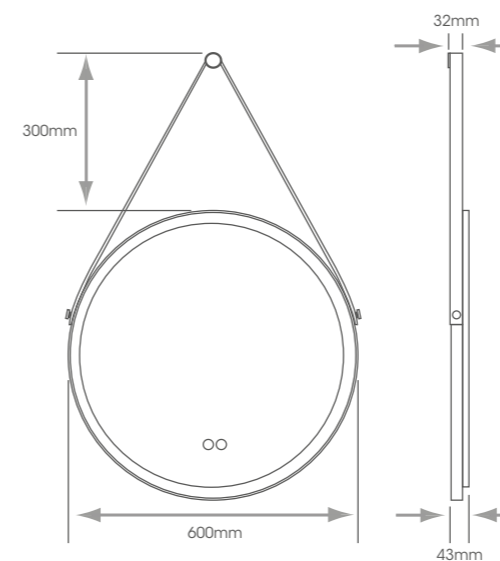
Black Trim/Warm White



PART CODE & DESCRIPTION

Valletta Black Trim

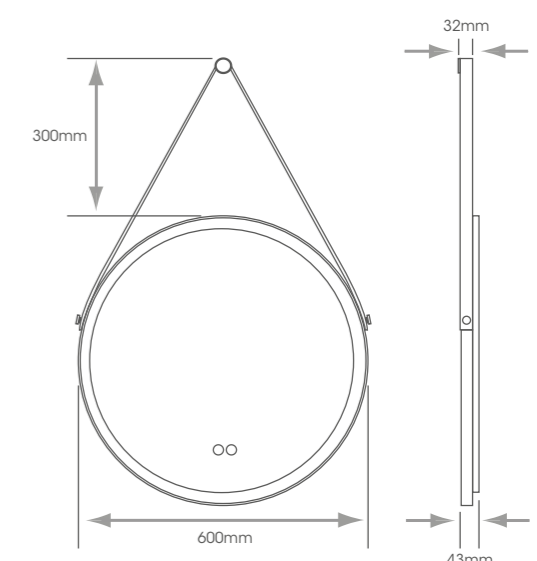
SY9108BL



PART CODE & DESCRIPTION

Valletta Brushed Gold Trim

SY9108G



NEW

5
YEAR
GUARANTEE



Natural White

NARA PEBBLE

TUNABLE LED MIRROR WITH DEMISTER

CE UKCA ROHS

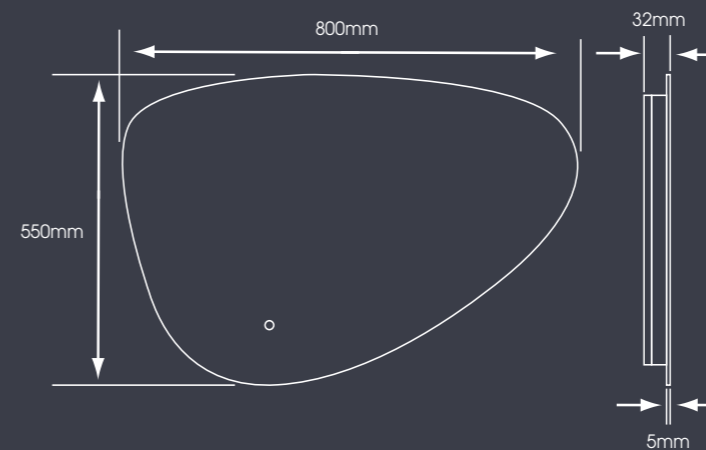
SY9110

The Nara pebble mirror features a diffused back-lit border to all edges of the mirror which provides a uniform light output with no dark spots.

The Tunable function enables users to choose the most suitable colour temperature for their décor or individual preference, warm white, natural white or cool white. It can also be dimmed to create the desired ambience.

The mirror stays fog free due to the built-in demister pad, which switches off automatically after 30 minutes. The mirror also has an IP44 rating making it suitable for use in a bathroom environment.

Can be positioned portrait or landscape,



PORTRAIT
LANDSCAPE
P: 550mm(w) x 800mm(h)
L: 800mm(w) x 550mm(h)

- IP44 IP44 Rated
- DIFFUSED BORDER Diffused Border
- TOUCH SENSOR x 1 Touch Sensor x 1
- TUNABLE Tunable White
- DIMMABLE Dimmable
- DEMISTER Demister

Technical Information

Power Supply	240V
Cable Length	900mm
Guarantee	5 Years

Warm White



Cool White



NEW

5
YEAR
GUARANTEE



Natural White

BERLIN

TUNABLE LED MIRROR WITH DEMISTER

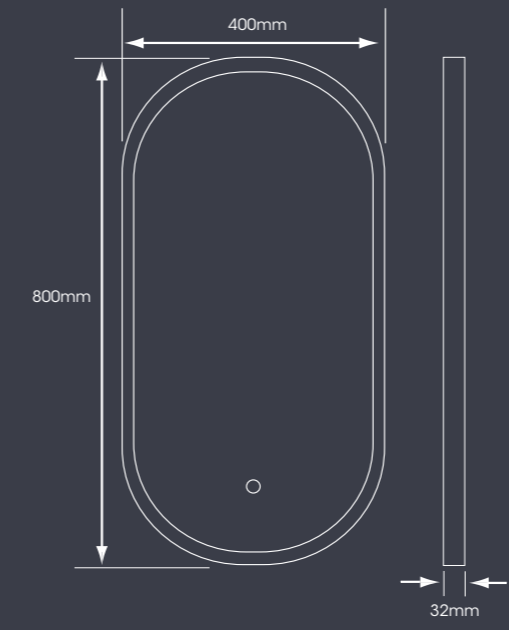
CE UKCA ROHS

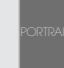





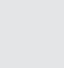
SY9111

The Berlin mirror features a black trim, and a diffused border to all edges of the mirror which provides a uniform light output with no dark spots.

The Tunable function enables users to choose the most suitable colour temperature for their décor or individual preference, warm white, natural white or cool white. It can also be dimmed to create the desired ambience. The mirror stays fog free due to the built-in demister pad, which switches off automatically after 30 minutes. The mirror also has an IP44 rating making it suitable for use in a bathroom environment.

Available early 2024.



- 
400mm(w) x 800mm(h)
- 
IP44 Rated
- 
Diffused Border
- 
Touch Sensor x 1
- 
Tunable White
- 
Dimmable
- 
Demister

Technical Information

Power Supply	240V
Cable Length	1000mm
Guarantee	5 Years



Warm White



Cool White

NEW

5
YEAR
GUARANTEE



Natural White

PORTO

TUNABLE LED MIRROR WITH DEMISTER

CE UKCA ROHS

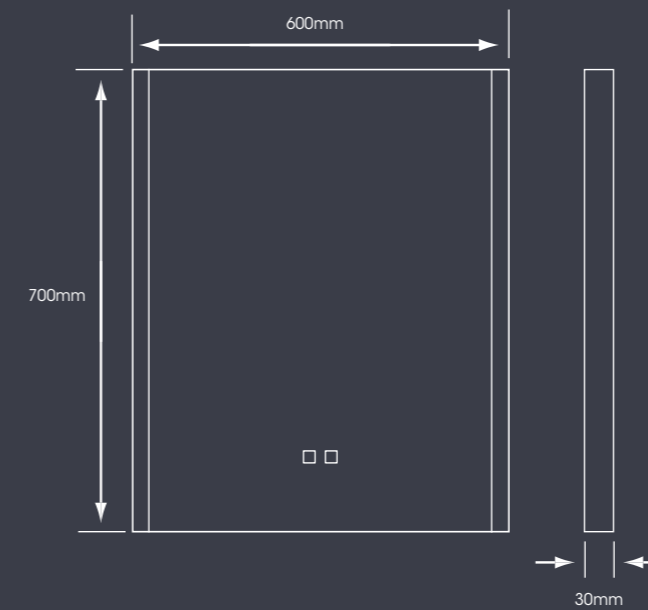
SY9062








The Porto mirror features a diffused illuminated border to each side of the mirror, which provides a uniform light output with no dark spots.

The Tunable function enables users to choose the most suitable colour temperature for their décor or individual preference, warm white, natural white or cool white. It can also be dimmed to create the desired ambience.

The mirror stays fog free due to the built-in demister pad, which switches off automatically after 30 minutes. The mirror also has an IP44 rating making it suitable for use in a bathroom environment.

Available early 2024.



-  PORTRAIT 600mm(w) x 700mm(h)
-  IP44 IP44 Rated
-  DIFFUSED BORDER Diffused Border
-  TOUCH SENSOR x 2 Touch Sensor x 2
-  TUNABLE Tunable White
-  DIMMABLE Dimmable
-  DEMISTER Demister

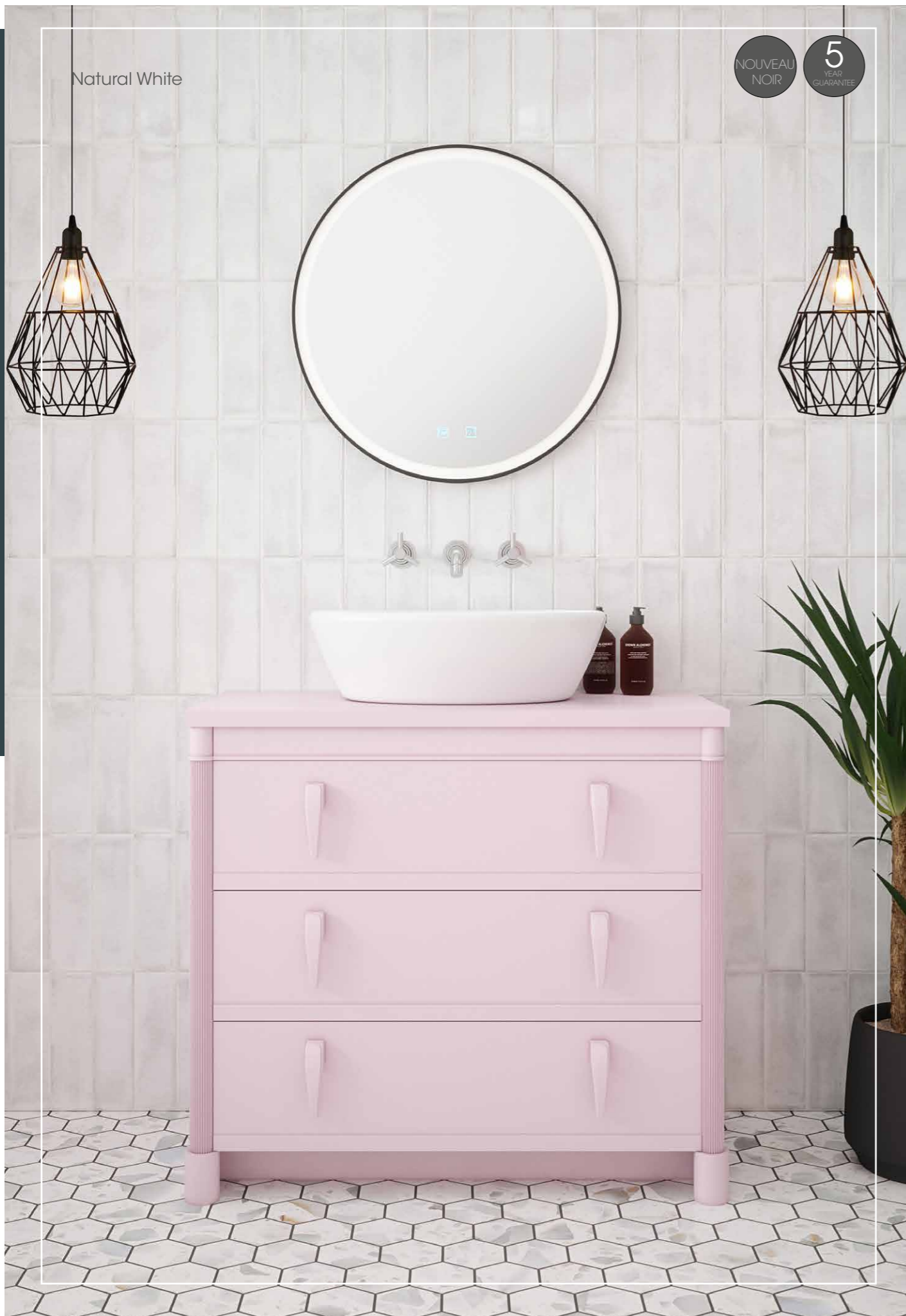
Technical Information

Power Supply	240V
Cable Length	1000mm
Guarantee	5 Years



Natural White

NOUVEAU NOIR
5 YEAR GUARANTEE



GEORGIA

CE UK CA ROHS

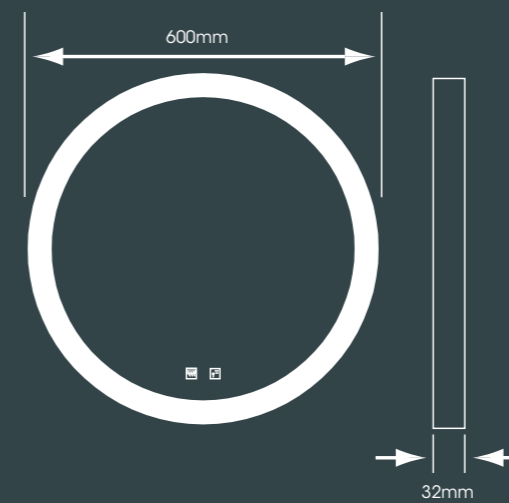
TUNABLE LED MIRROR WITH DEMISTER & BLACK TRIM






SY9034

The on-trend Georgia LED Mirror features a sleek black trim, and a diffused illuminated border to the face of the mirror, which provides a uniform light output with no dark spots.

The Tunable function enables users to choose the most suitable colour temperature for their décor or individual preference, warm white, natural white or cool white. It can also be dimmed to create the desired ambience.

The mirror stays fog free due to the built-in demister pad, which switches off automatically after 30 minutes. The mirror also has an IP44 rating making it suitable for use in a bathroom environment.



-  600mm(dia)
-  IP44 Rated
-  Diffused Border
-  Touch Sensor x 2
-  Tunable White
-  Dimmable
-  Demister

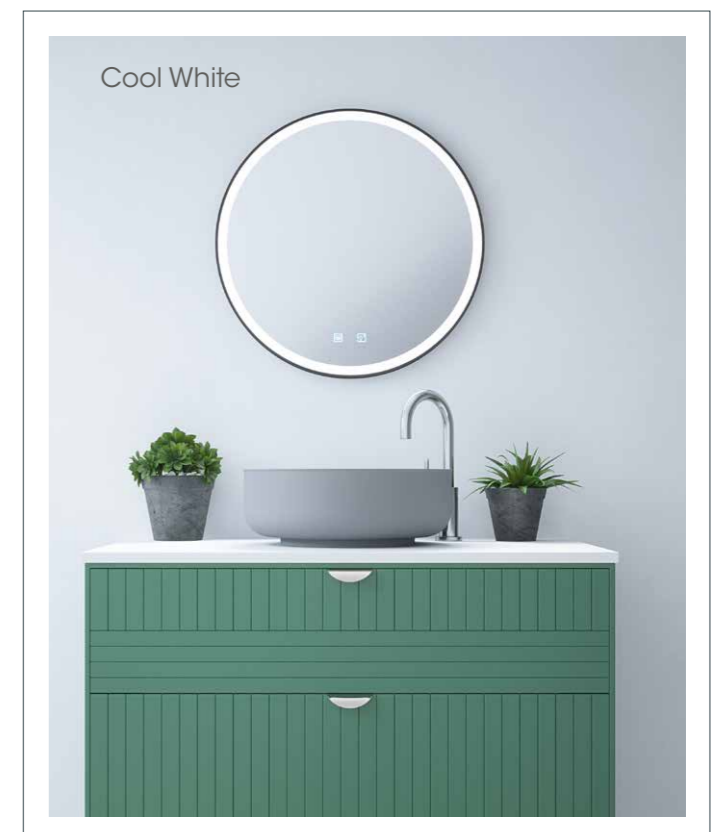
Technical Information

Power Supply	240V
Cable Length	300mm
Guarantee	5 Years

Warm White



Cool White



Natural White

NOUVEAU NOIR
5 YEAR GUARANTEE



LANGLEY

TUNABLE LED MIRROR WITH DEMISTER & BLACK TRIM

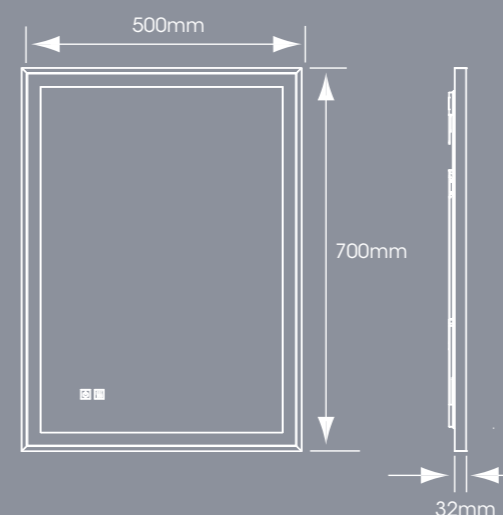
CE UK CA ROHS









SY9033

The Langley LED Mirror features a stylish black trim, and a diffused illuminated border to the face of the mirror, which provides a uniform light output with no dark spots. The Langley can be situated portrait or landscape.

The Tunable function enables users to choose the most suitable colour temperature for their décor or individual preference, warm white, natural white or cool white. It can also be dimmed to create the desired ambience.

The mirror stays fog free due to the built-in demister pad, which switches off automatically after 30 minutes. The mirror also has an IP44 rating making it suitable for use in a bathroom environment.



-  **500mm(w) x 700mm(h)**
-  **700mm(w) x 500mm(h)**
-  **IP44 Rated**
-  **Diffused Border**
-  **Touch Sensor x 2**
-  **Tunable White**
-  **Dimmable**
-  **Demister**

Technical Information

Power Supply	240V
Cable Length	900mm
Guarantee	5 Years



Warm White



Cool White



Natural White

5
YEAR
GUARANTEE



HALIFAX

TUNABLE LED MIRROR WITH DEMISTER

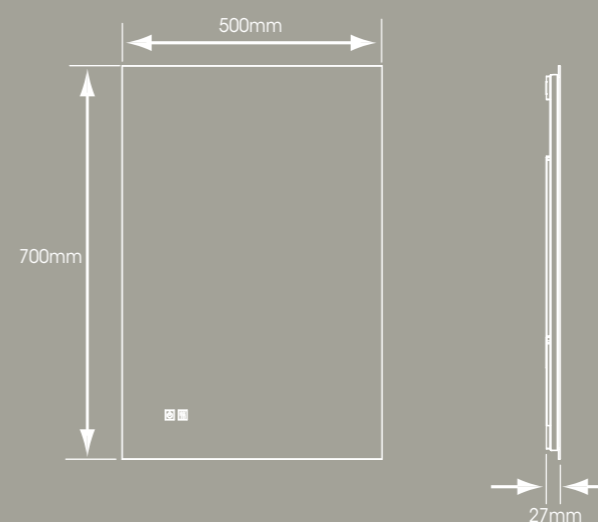
CE UK CA ROHS

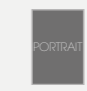
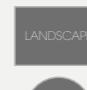






SY9029

The Halifax LED Mirror features a diffused illuminated border to the rear of the mirror, which provides a uniform light output behind the mirror with no dark spots. The Halifax can be situated portrait or landscape.

The Tunable function enables users to choose the most suitable colour temperature for their décor or individual preference, warm white, natural white or cool white. It can also be dimmed to create the desired ambience.

The mirror stays fog free due to the built-in demister pad, which switches off automatically after 30 minutes. The mirror also has an IP44 rating making it suitable for use in a bathroom environment.



-  500mm(w) x 700mm(h)
-  700mm(w) x 500mm(h)
-  IP44 Rated
-  Diffused Back-lit Border
-  Touch Sensor x 2
-  Tunable White
-  Dimmable
-  Demister

Technical Information

Power Supply	240V
Cable Length	900mm
Guarantee	5 Years

Warm White



Cool White



SATURN 1, 2 & 3

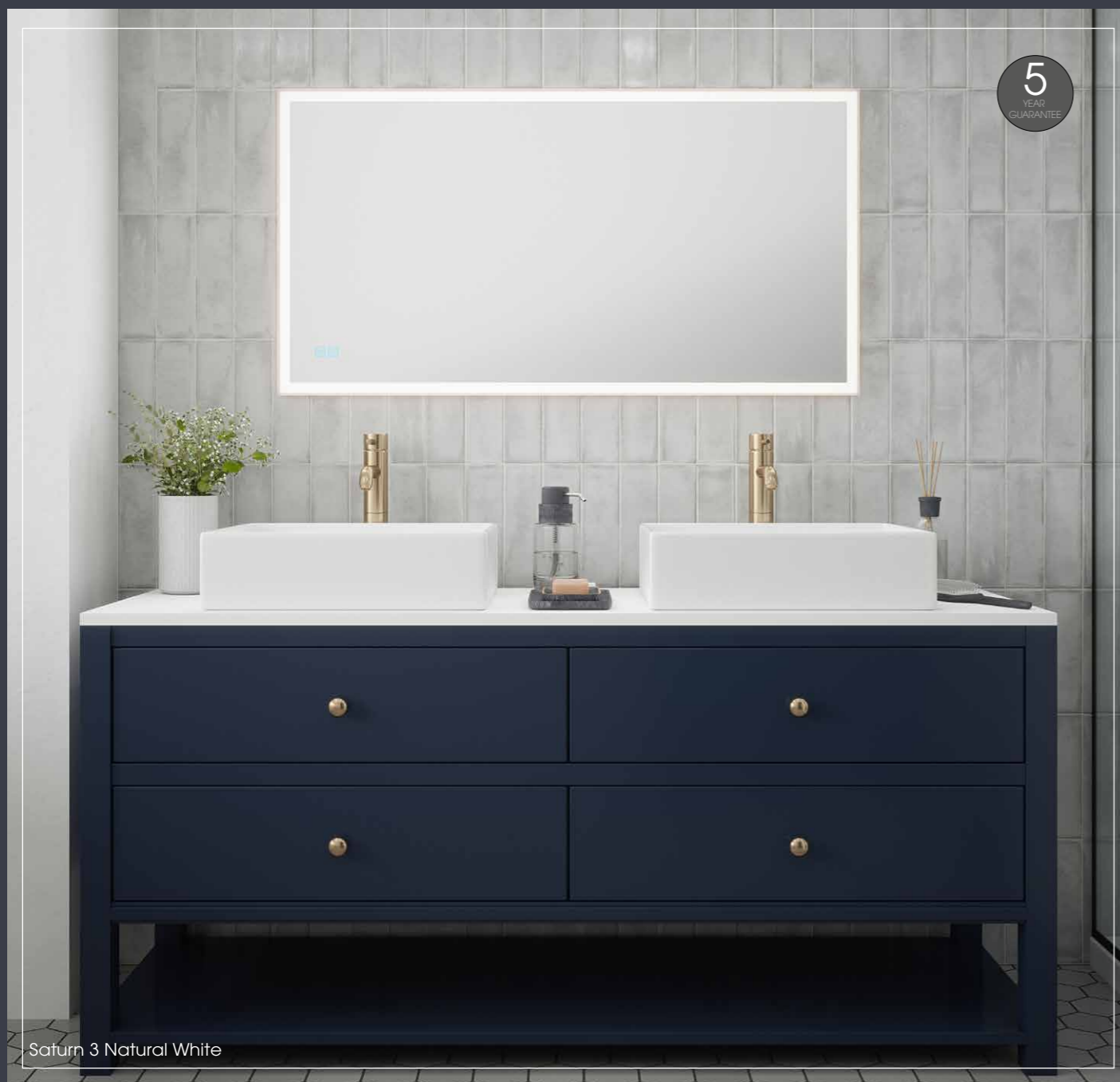
TUNABLE LED MIRROR WITH DEMISTER

The Saturn range of LED Mirrors feature a diffused illuminated border to all edges of the mirrors, which provides a uniform light output with no dark spots.

The Tunable function enables users to choose the most suitable colour temperature for their décor or individual preference, warm white, natural white or cool white. It can also be dimmed to create the desired ambience.

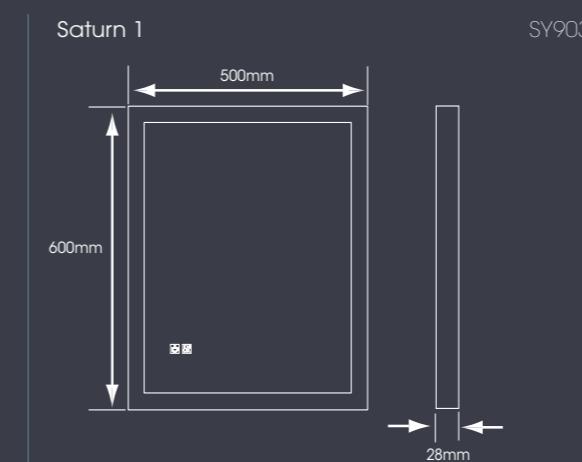
The mirrors stay fog free due to the built-in demister pad, which switches off automatically after 30 minutes. The mirrors also have an IP44 rating making them suitable for use in a bathroom environment. These mirrors can be positioned portrait or landscape to suit, and are available in three different sizes.

5
YEAR
GUARANTEE

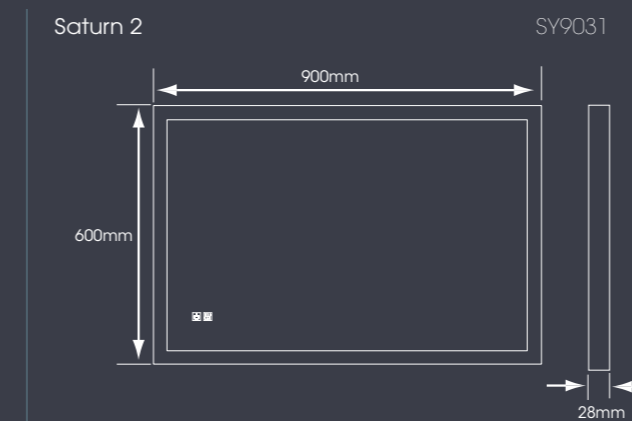


Saturn 3 Natural White

PART CODE & DESCRIPTION



PART CODE & DESCRIPTION



PART CODE & DESCRIPTION



	Saturn 1 P: 500mm(w) x 600mm(h) L: 600mm(w) x 500mm(h)
	Saturn 2 P: 600mm(w) x 900mm(h) L: 900mm(w) x 600mm(h)
	Saturn 3 P: 600mm(w) x 1150mm(h) L: 1150mm(w) x 600mm(h)
	IP44 Rated
	Diffused Border
	Touch Sensor x 2
	Tunable White
	Dimmable
	Demister
Technical Information	
Power Supply	240V
Cable Length	900mm
Guarantee	5 Years



Saturn 2 Natural White



Saturn 1 Cool White



Saturn 1 Warm White

Natural White

5
YEAR
GUARANTEE



REIMS

TUNABLE LED MIRROR WITH DEMISTER

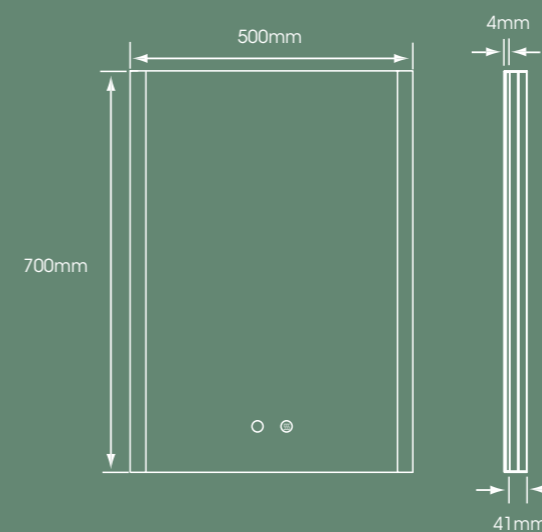
CE UKCA ROHS

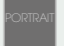






SY9059

This LED Mirror features a diffused illuminated border to the left and right of the mirror, which provides a uniform light output with no dark spots.

The Tunable function enables users to choose the most suitable colour temperature for their décor or individual preference, warm white, natural white or cool white. It can also be dimmed to create the desired ambience.

The mirror stays fog free due to the built-in demister pad, which switches off automatically after 30 minutes. The mirror also has an IP44 rating making it suitable for use in a bathroom environment.



-  500mm(w) x 700mm(h)
-  IP44 Rated
-  Diffused Border
-  Touch Sensor x 2
-  Tunable White
-  Dimmable
-  Demister

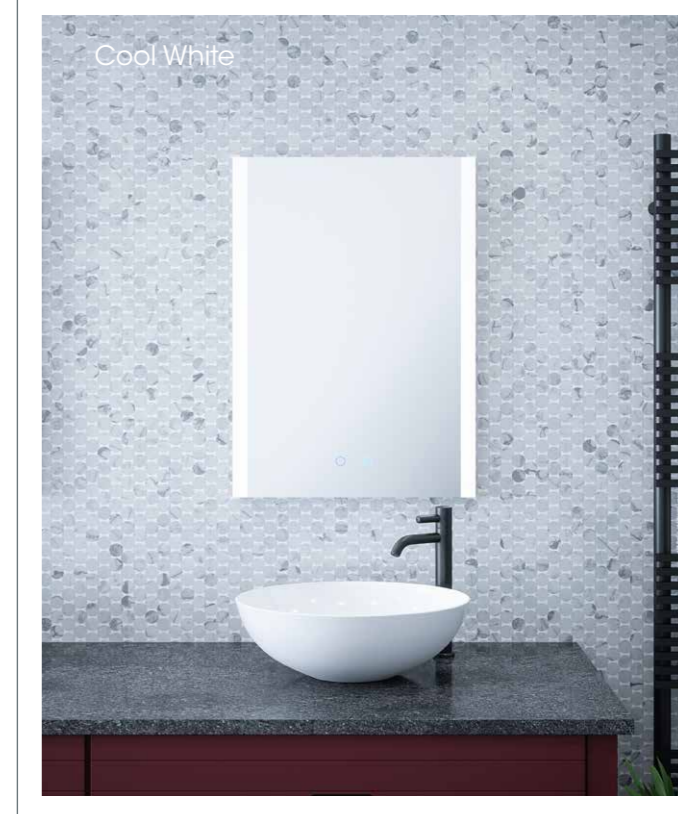
Technical Information

Power Supply	240V
Cable Length	300mm
Guarantee	5 Years

Warm White



Cool White



Natural White

5
YEAR
GUARANTEE



KINGSTON

TUNABLE LED MIRROR WITH SHAVER SOCKET & DEMISTER

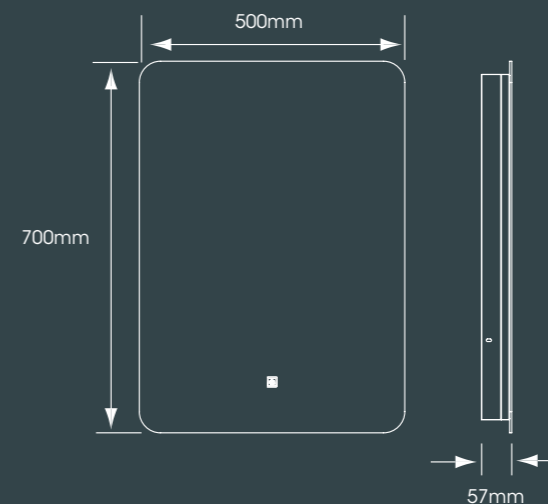
SY9047



This LED Mirror features a diffused illuminated border to the rear of the mirror which provides a uniform light output with no dark spots. The Tunable function enables users to choose the most suitable colour temperature for their décor or individual preference, warm white, natural white or cool white. It can also be dimmed to create the desired ambience.

The mirror stays fog free due to the built-in demister pad, which switches off automatically after 30 minutes. The mirror also has an IP44 rating making it suitable for use in a bathroom environment.

The Kingston features a Shaver Socket.



- 500mm(w) x 700mm(h)
- Shaver Socket
- IP44 Rated
- Diffused Back-lit Border
- Touch Sensor x 1
- Tunable White
- Dimmable
- Demister

Technical Information

Power Supply	240V
Cable Length	900mm
Guarantee	5 Years

Warm White



Cool White



Natural White

5
YEAR
GUARANTEE



MILTON

TUNABLE LED MIRROR WITH DEMISTER

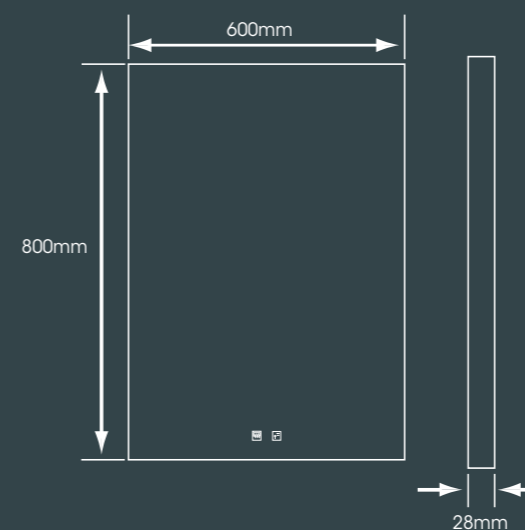
CE UKCA ROHS

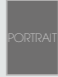





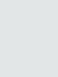
SY9007

The Milton LED Mirror features a diffused illuminated border to all edges of the mirror, which provides a uniform light output to the mirror with no dark spots.

The Tunable function enables users to choose the most suitable colour temperature for their décor or individual preference, warm white, natural white or cool white. It can also be dimmed to create the desired ambience.

The mirror stays fog free due to the built-in demister pad, which switches off automatically after 30 minutes. The mirror also has an IP44 rating making it suitable for use in a bathroom environment.



-  600mm(w) x 800mm(h)
-  IP44 Rated
-  Diffused Border
-  Touch Sensor x 2
-  Tunable White
-  Dimmable
-  Demister

Technical Information

Power Supply	240V
Cable Length	300mm
Guarantee	5 Years

Warm White



Cool White





Natural White

5
YEAR
GUARANTEE

STRATFORD

TUNABLE LED MIRROR WITH DEMISTER

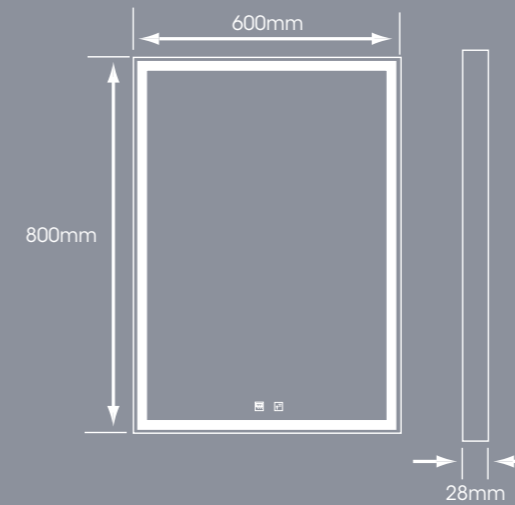
CE UK CA ROHS

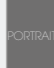





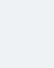
SY9008

The Stratford LED Mirror features a diffused illuminated border to all edges of the mirror, which provides a uniform light output around the mirror with no dark spots.

The Tunable function enables users to choose the most suitable colour temperature for their décor or individual preference, warm white, natural white or cool white. It can also be dimmed to create the desired ambience.

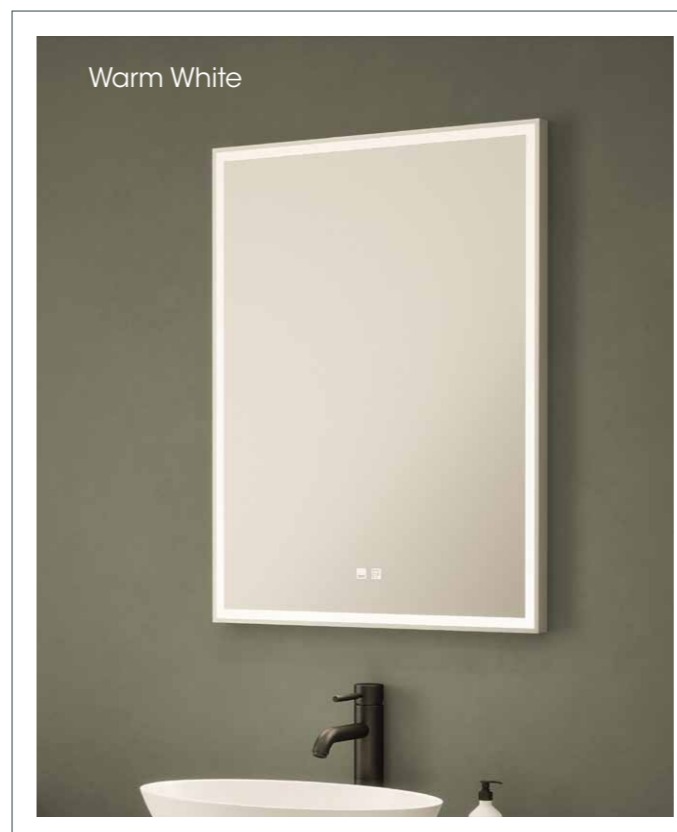
The mirror stays fog free due to the built-in demister pad, which switches off automatically after 30 minutes. The mirror also has an IP44 rating making it suitable for use in a bathroom environment.



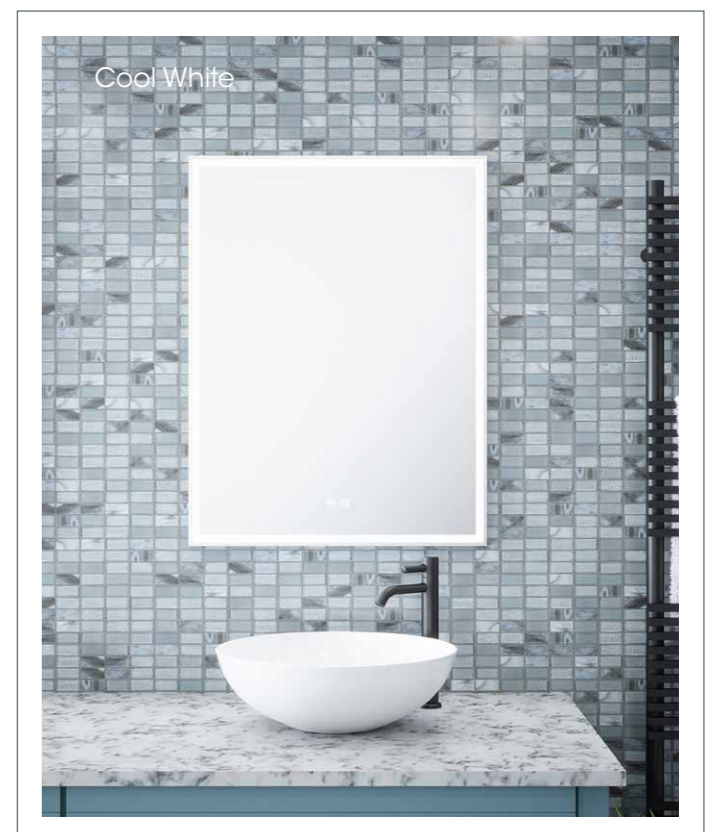
-  600mm(w) x 800mm(h)
-  IP44 Rated
-  Diffused Border
-  Touch Sensor x 2
-  Tunable White
-  Dimmable
-  Demister

Technical Information

Power Supply	240V
Cable Length	300mm
Guarantee	5 Years



Warm White



Cool White

Natural White

5
YEAR
GUARANTEE



SUDBURY

TUNABLE LED MIRROR WITH DEMISTER

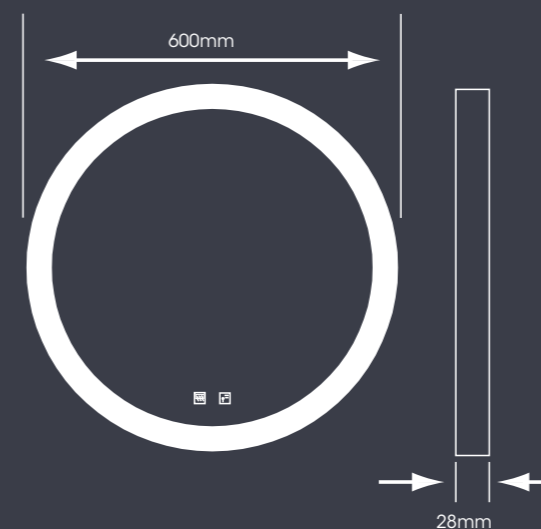
CE UK CA ROHS

SY9009

The Sudbury LED Mirror features a diffused illuminated border to all edges of the mirror, which provides a uniform light output all around the mirror with no dark spots.

The Tunable function enables users to choose the most suitable colour temperature for their décor or individual preference, warm white, natural white or cool white. It can also be dimmed to create the desired ambience.

The mirror stays fog free due to the built-in demister pad, which switches off automatically after 30 minutes. The mirror also has an IP44 rating making it suitable for use in a bathroom environment.



- 600mm(dia)
- IP44 Rated
- Diffused Border
- Touch Sensor x 2
- Tunable White
- Dimmable
- Demister

Technical Information

Power Supply	240V
Cable Length	300mm
Guarantee	5 Years

Warm White



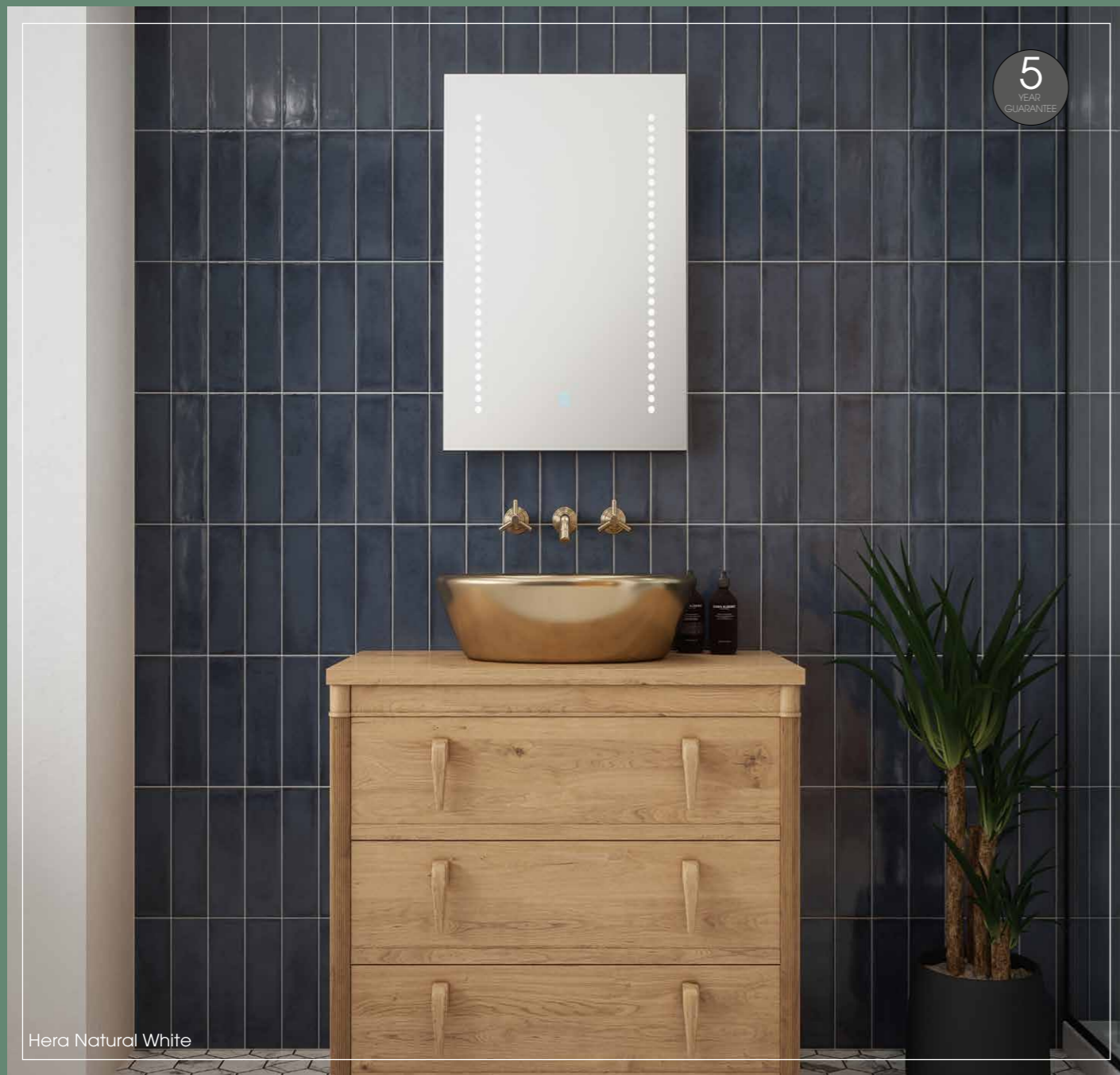
Cool White



HERA & ARES

TUNABLE LED MIRROR WITH SHAVER SOCKET & DEMISTER

5
YEAR
GUARANTEE









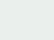


Hera Natural White

The Hera & Ares Tunable LED Mirrors feature a built in Shaver Socket.

The Tunable function enables users to choose the most suitable colour temperature for their décor or individual preference, warm white, natural white or cool white. It can also be dimmed to create the desired ambience.

The mirrors stays fog free due to the built-in demister pad, which switches off automatically after 30 minutes. The mirrors also have an IP44 rating making them suitable for use in a bathroom environment.

-  **Hera**
500mm(w) x 700mm(h)
-  **Ares**
390mm(w) x 500mm(h)
-  Shaver Socket
-  IP44 Rated
-  Multi LED Points
-  Touch Sensor x 1
-  Tunable White
-  Dimmable
-  Demister



Hera Cool White



Hera/Ares Shaver Socket

Technical Information

Power Supply	240V
Cable Length	900mm
Guarantee	5 Years

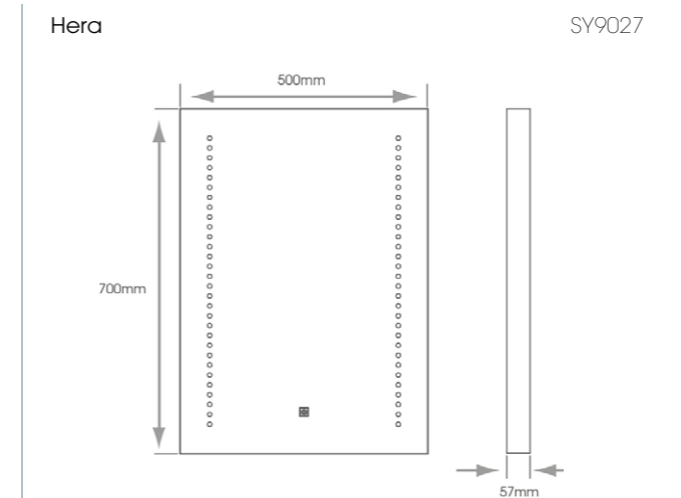


Ares Natural White

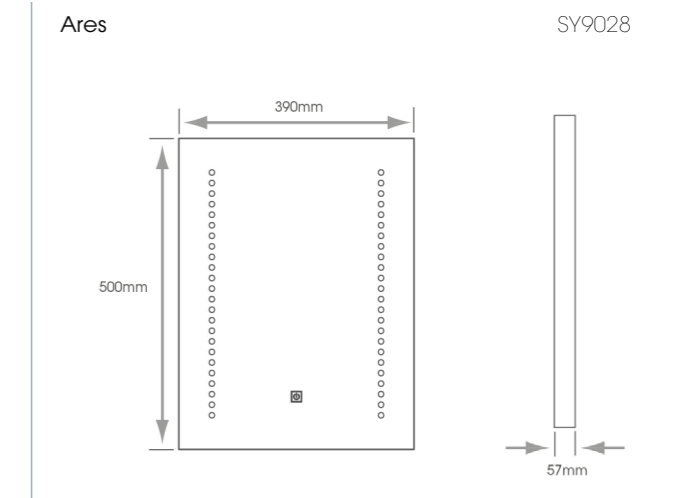


Hera Warm White

PART CODE & DESCRIPTION



PART CODE & DESCRIPTION



NOUVEAU
NOIR

5
YEAR
GUARANTEE



POLAR

LED MIRROR WITH DEMISTER

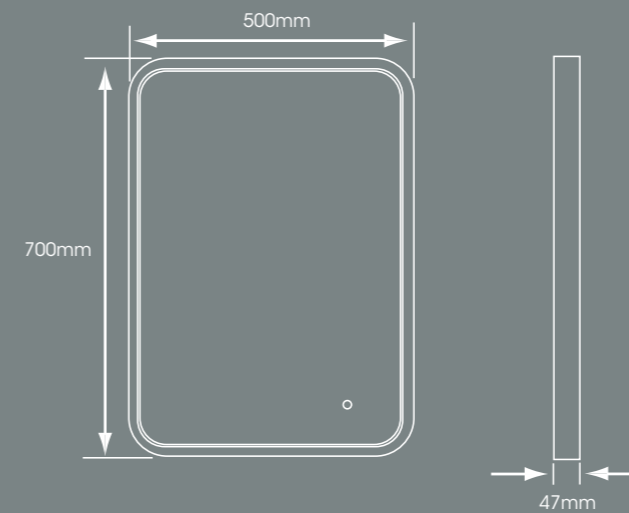
CE UK ROHS

SY9106

The Polar LED Mirror features a Natural White (4000K) internal diffused illuminated border all around the mirror with no dark spots, with stylish black curved edges.

The mirror stays fog free due to the built-in demister pad, which switches off automatically after 30 minutes. The mirror also has an IP44 rating making it suitable for use in a bathroom environment.

The Polar can be positioned portrait or landscape.



-  500mm(w) x 700mm(h)
-  700mm(w) x 500mm(h)
-  IP44 Rated
-  Diffused Border
-  Touch Sensor x 1
-  Natural White
-  Demister

Technical Information

Power Supply	240V
Cable Length	500mm
Guarantee	5 Years





BAILEY

LED MIRROR WITH SHELF & DEMISTER

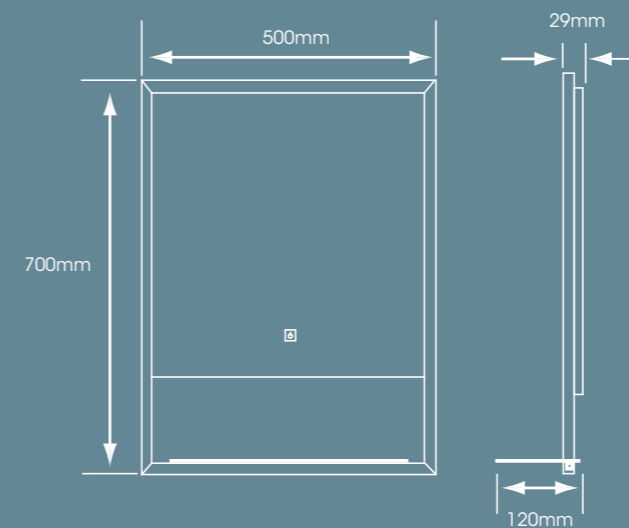


SY9105

The unique Bailey LED Mirror features a Natural White (4000K) backlit diffused illuminated border all around the mirror with no dark spots.

With a stylish black trim, and a slim black shelf to the bottom of the mirror, the Bailey is a stunning addition to any bathroom.

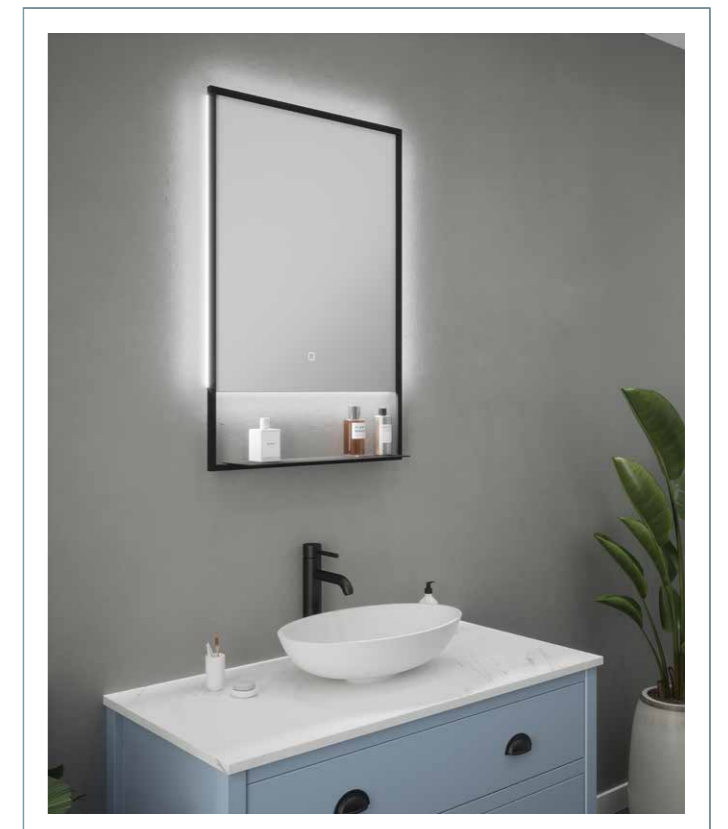
The mirror stays fog free due to the built-in demister pad, which switches off automatically after 30 minutes. The mirror also has an IP44 rating making it suitable for use in a bathroom environment.



-  500mm(w) x 700mm(h)
-  IP44 Rated
-  Diffused Back-lit Border
-  Touch Sensor x 1
-  Natural White
-  Demister

Technical Information

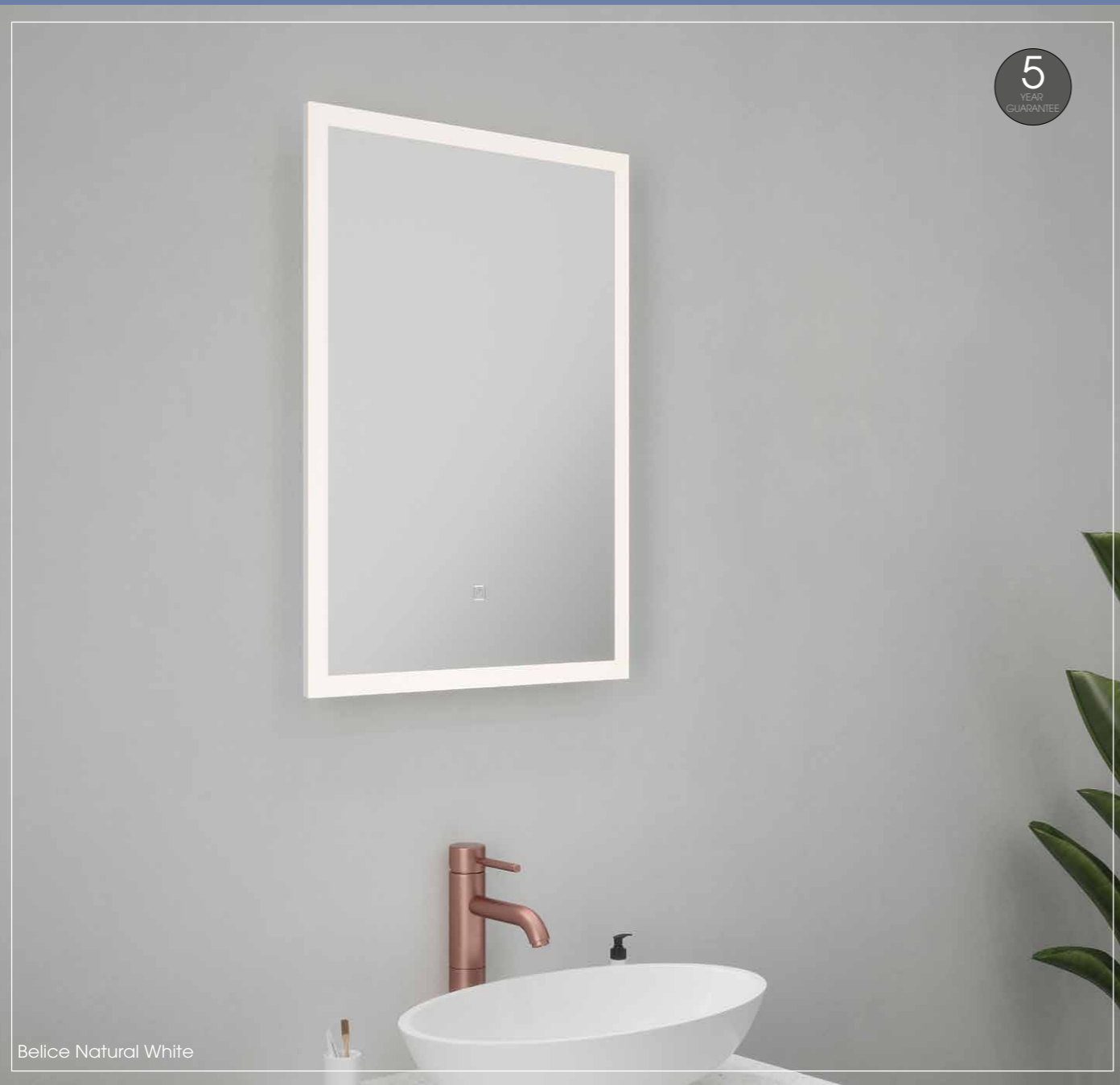
Power Supply	240V
Cable Length	500mm
Guarantee	5 Years



BELICE & MALMO

LED MIRROR WITH SHAVER SOCKET & DEMISTER

5
YEAR
GUARANTEE



Belice Natural White

The Belice & Malmo LED Mirrors feature a natural white (4000K) diffused illuminated border to the front of the mirror, which provides a uniform light output all around the mirrors with no dark spots.

The mirrors stay fog free due to the built-in demister pad, which switches off automatically after 60 minutes. The mirrors also have an IP44 rating making them suitable for use in a bathroom environment.

Both models feature a built-in shaver socket.

-  **Belice**
500mm(w) x 700mm(h)
-  **Malmo**
390mm(w) x 500mm(h)
-  Shaver Socket
-  IP44 Rated
-  Diffused Border
-  Touch Sensor x 1
-  Natural White
-  Demister



Belice/Malmo Shaver Socket



Malmo Natural White

Technical Information

Power Supply	240V
Cable Length	500mm
Guarantee	5 Years

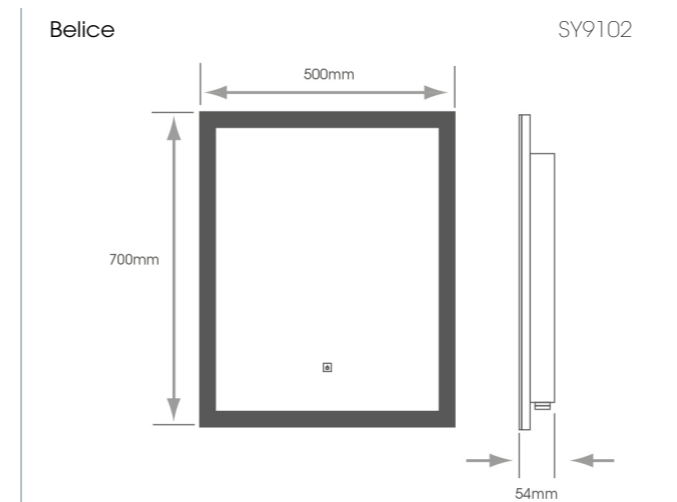


Malmo Natural White

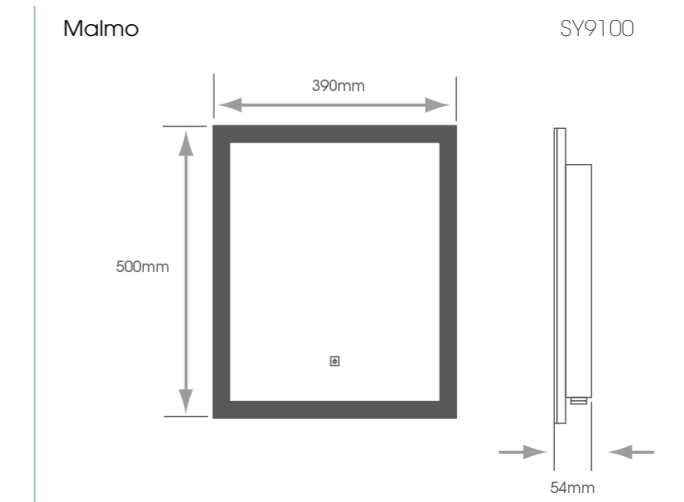


Belice Natural White

PART CODE & DESCRIPTION



PART CODE & DESCRIPTION



STOCKHOLM & HELSINKI

LED MIRROR WITH DEMISTER








The Stockholm & Helsinki LED Mirrors feature a natural white (4000K) diffused illuminated border to the front of the mirrors, which provides a uniform light output all around the mirrors, with no dark spots.

The mirrors stay fog free due to the built-in demister pad, which switches off automatically after 60 minutes. The mirror also has an IP44 rating making it suitable for use in a bathroom environment.

Both models can be positioned portrait or landscape.

-  Stockholm
 P: 600mm(w) x 800mm(h)
 L: 800mm(w) x 600mm(h)
- 
-  Helsinki
 P: 500mm(w) x 700mm(h)
 L: 700mm(w) x 500mm(h)
- 

-  IP44 Rated
-  Diffused Border
-  Touch Sensor x 1
-  Natural White
-  Demister

Technical Information

Power Supply	240V
Cable Length	500mm
Guarantee	5 Years



Stockholm Natural White



Stockholm Natural White



Helsinki Natural White

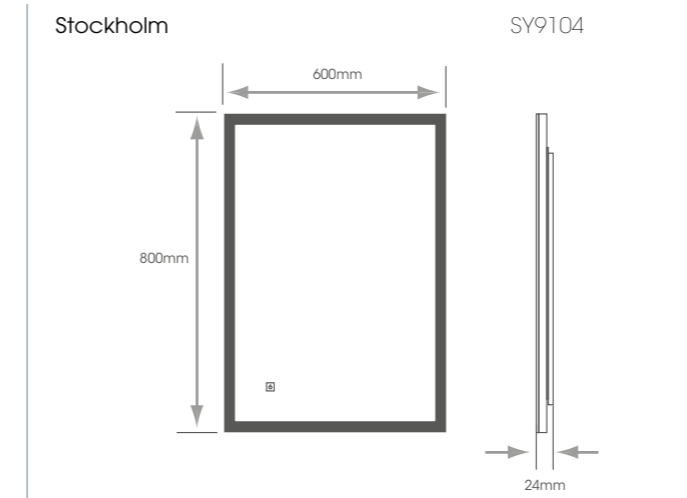


Helsinki Natural White

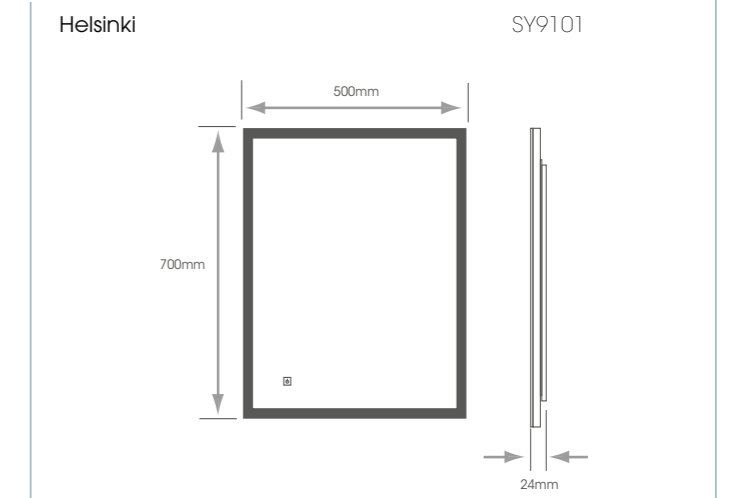


Helsinki Natural White

PART CODE & DESCRIPTION



PART CODE & DESCRIPTION



5
YEAR
GUARANTEE



OSLO

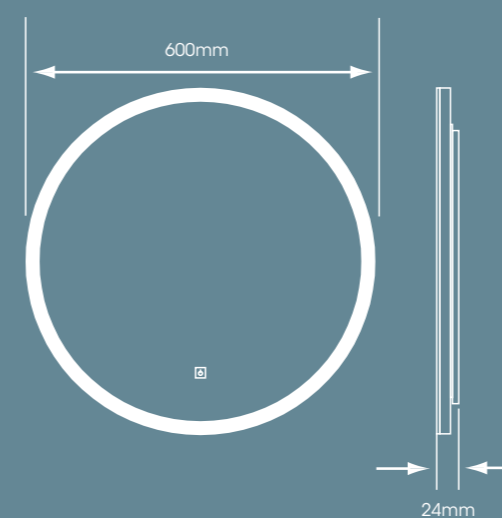
LED MIRROR WITH DEMISTER

CE UKCA ROHS

SY9060

The Oslo LED Mirror features a natural white (4000K) diffused illuminated border to the front of the mirror, which provides a uniform light output all around the mirror, with no dark spots.

The mirror stays fog free due to the built-in demister pad, which switches off automatically after 60 minutes. The mirror also has an IP44 rating making it suitable for use in a bathroom environment.



- ROUND 600mm(dia)
- IP44 IP44 Rated
- DIFFUSED BORDER Diffused Border
- Touch Sensor x 1
- 4000K Natural White
- Demister

Technical Information

Power Supply	240V
Cable Length	500mm
Guarantee	5 Years



5
YEAR
GUARANTEE



FLORENCE

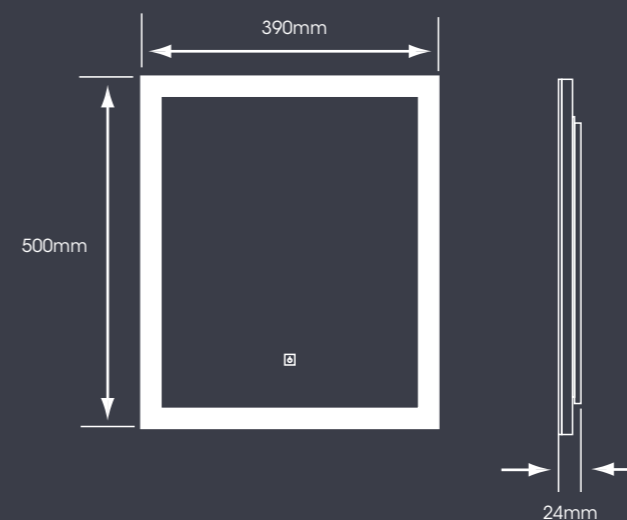
LED MIRROR

CE UKCA ROHS

SY9061

The Florence LED Mirror features a natural white (4000K) diffused illuminated border to the front of the mirror, which provides a uniform light output all around the mirror, with no dark spots.

The mirror also has an IP44 rating making it suitable for use in a bathroom environment.



- PORTAIT 390mm(w) x 500mm(h)
- IP44 IP44 Rated
- DIFFUSED BORDER Diffused Border
- Touch Sensor x 1
- 4000K Natural White

Technical Information

Power Supply	240V
Cable Length	500mm
Guarantee	5 Years



NEW



Comino 2 500mm x 700mm

COMINO 1 & 2

LITHIUM BATTERY LED MIRROR WITH DEMISTER



The Comino range of mirrors are battery operated, making them easy to install with no wiring necessary.


The battery pack is discreetly tucked away behind the mirror, and is easily removed for re-charging via a USB cable (included).

The Comino features a natural white LED panel to the top of the mirror, which is switched on using the button on the side of the mirror, and for battery saving, it will automatically switch off after two minutes if no further movement is sensed.

The mirror also has an IP44 rating making it suitable for use in a bathroom environment.



Removable rechargeable battery pack

-  Comino 1
390mm(w) x 500mm(h)
-  Comino 2
500mm(w) x 700mm(h)
-  Rechargeable Battery
-  IP44 Rated
-  Diffused LED Panel
-  4000K Natural White

Technical Information

Power Supply	3.7V 2500mAh Lithium Battery
Guarantee	2 Years

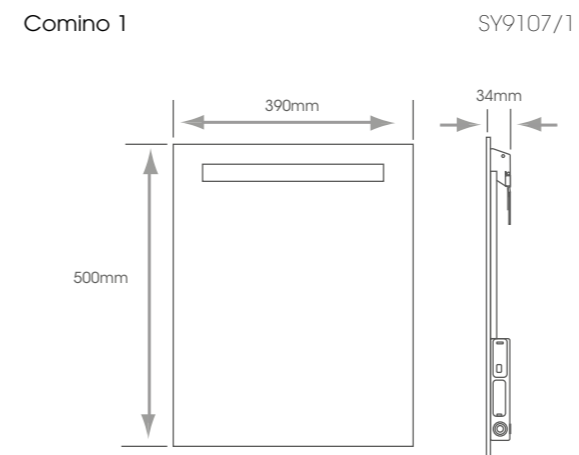


Comino 1 390mm x 500mm

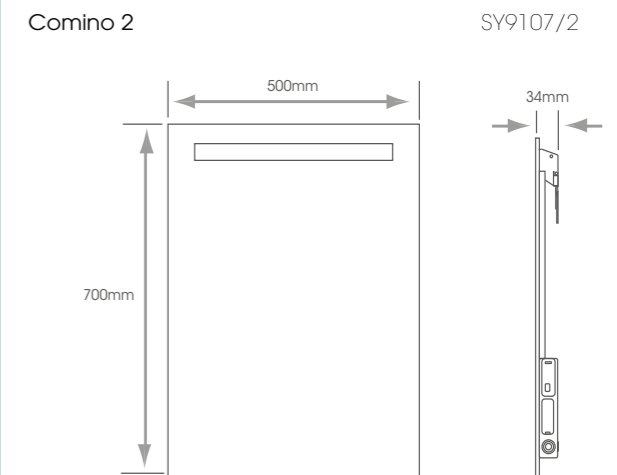


Comino 2 500mm x 700mm

PART CODE & DESCRIPTION

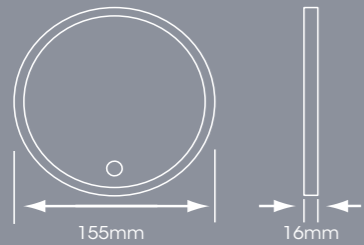


PART CODE & DESCRIPTION



LORRAINE

PORTABLE LED VANITY MIRROR
RECHARGEABLE LITHIUM BATTERY



The elegant Lorraine compact mirror is rechargeable using a USB cable (included), and lasts for up to 2 hours when fully charged. Simply touch the mirror to turn on or off.

The mirror comes with its own stand, but also features a reusable adhesive back to stick to surfaces such as ceramic, marble, acrylic, porcelain, enamel, and other mirrors.

It also has 2 x magnification, and built in eye protection with extreme low blue light. Available in natural white which closely simulates natural daylight.

TECHNICAL INFO

Lithium Battery	5V
Recharge Time	1.5 hours, from no charge to full charge
Charging	Via USB cable (included)
Colour Appearance	Natural White
Sensor	Touch/on/off
IP Rating	IP20
Guarantee	12 Months

PART CODE & DESCRIPTION

Lorraine Rechargeable LED Vanity Mirror SY9011



TITAN

PORTABLE LED VANITY MIRROR
RECHARGEABLE LITHIUM BATTERY



This stylish Titan mirror features an illuminated halo ring which is activated and dimmed at the touch of the built in button. The mirror also features a sensor, which turns the light off after 20 seconds if it senses no movement. The sensor stays activated for 15 minutes so will switch the light on again if it senses further movement. After this period it will enter a sleep state and will require re-activating via the button.

It is rechargeable using a USB cable (included), and lasts for up to 2 hours when fully charged.

TECHNICAL INFO

Lithium Battery	5V
Battery Capacity	4000mAh
Recharge Time	3 hours, from no charge to full charge
Charging	Via USB cable (included)
Colour Appearance	Natural White
Sensor	Touch/on/off/dimming
IP Rating	IP20
Guarantee	12 Months

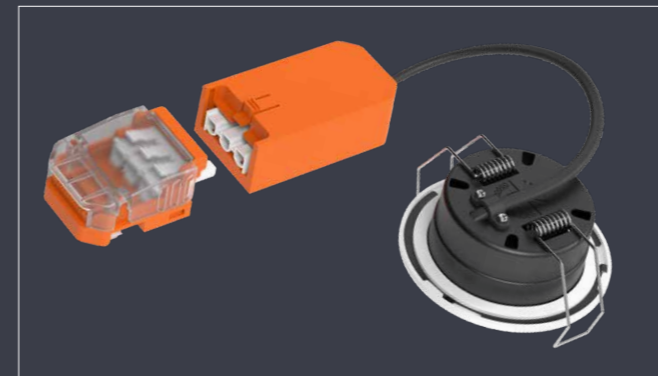
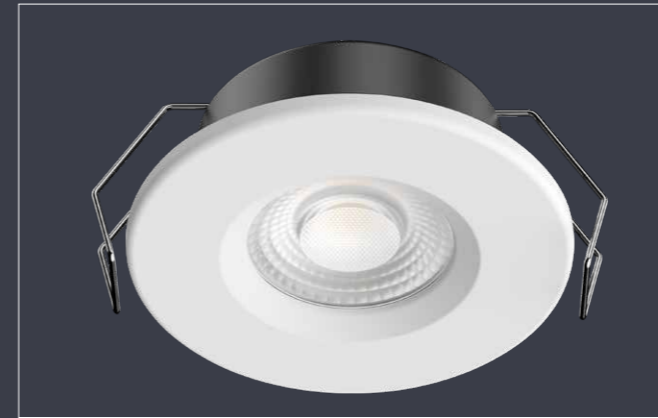
PART CODE & DESCRIPTION

Titan Rechargeable LED Vanity Mirror SY9021



RIGA PLUS

SWITCHABLE DIMMABLE
IP65 FIRE RATED DOWNLIGHT



Choose from 3000K, 4000K or 6000K by simply choosing your preference using the integrated switch on the front of the fitting. It is also fully dimmable from most standard wall dimmers, and also includes the power converter. The light output is equivalent to a 50W GU10 halogen lamp, but due to the latest LED technology it uses 85% less energy, helping to save money and the environment.

This ultra slim fitting is designed to allow loft insulation to be continuously run over the back of the fitting (IC Rated), and features a speed fit, tool free, loop in - loop out terminal. The colour appearance can be changed at any time without removing the fitting from the ceiling by simply removing the bezel.

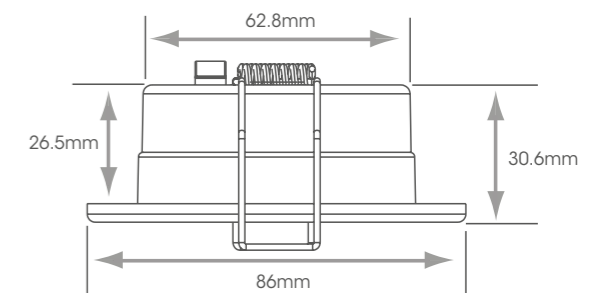
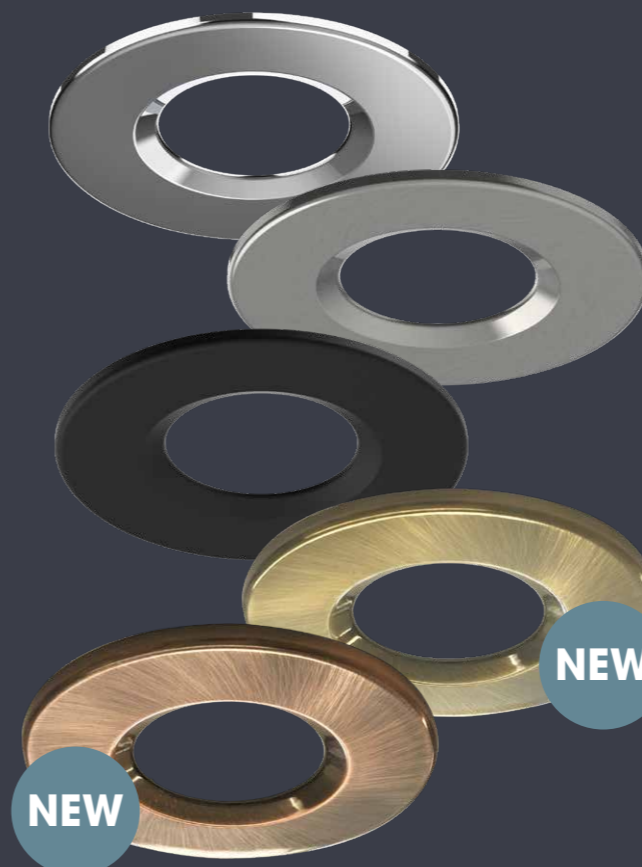
TECHNICAL INFO

Power Supply	240V
Colour Appearance	Switchable - Warm, Natural or Cool
Colour Temperature	Switchable - 3000K, 4000K or 6000K
Wattage	6W
Beam Angle	40°
Total Lumens	WW - 593lm NW - 680lm, CW - 635lm
IP Rating	IP65
Colour Rendering Index	>Ra 80
Finish	White (Chrome, Brushed Nickel, & Matt Black available to purchase separate)
Cut Out Size	65mm

PART CODE & DESCRIPTION

Riga Plus LED Downlight White	SY9050WH
ADDITIONAL BEZELS	
Chrome Bezel	SY9051CC
Brushed Nickel Bezel	SY9051BN
Matt Black Bezel	SY9051BK
Gold Bezel	SY9051G
Copper Bezel	SY9051CO

Power Converter Included



RIGA TRIO

SWITCHABLE DIMMABLE IP65 FIRE RATED DOWNLIGHT



Choose from 3000K, 4000K or 6000K by simply choosing your preference using the integrated switch on the fitting. It is also fully dimmable from most standard wall dimmers, and also includes a built-in power converter.

The light output is equivalent to a 50W GU10 halogen lamp, but due to the latest LED technology it uses 85% less energy, helping to save money and the environment.

The fitting is designed to allow loft insulation to be continuously run over the back of the fitting (IC Rated), and features a loop in - loop out clip block.

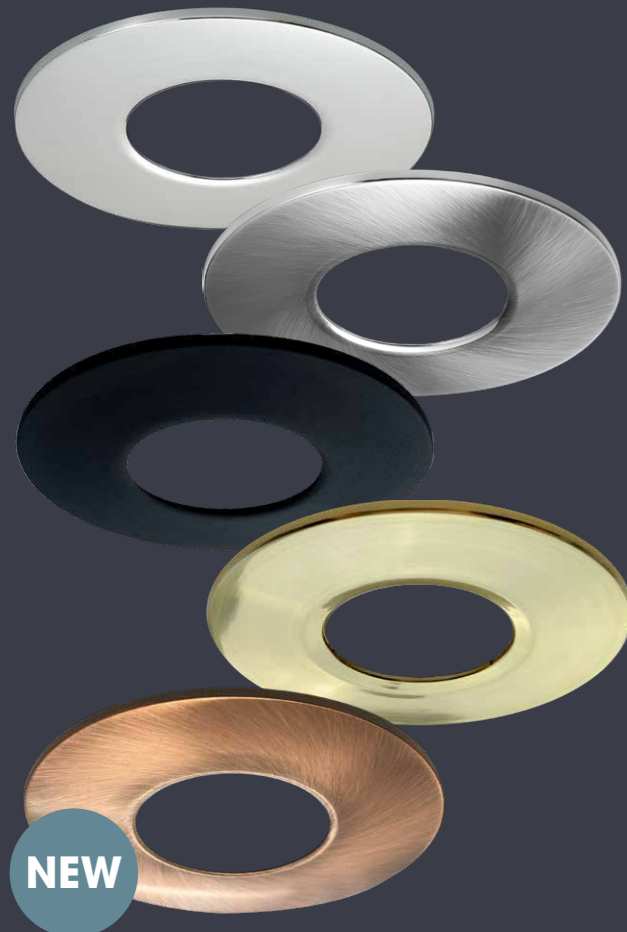
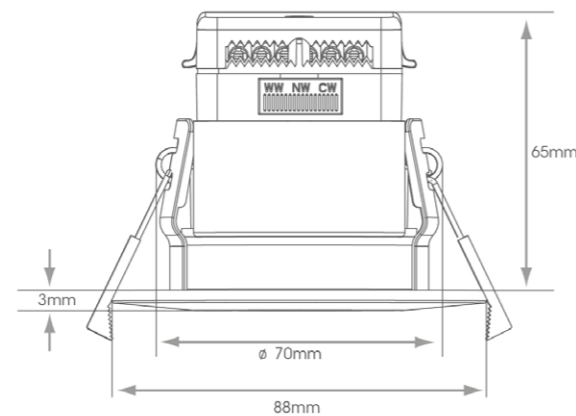
TECHNICAL INFO

Power Supply	240V
Colour Appearance	Switchable - Warm, Natural or Cool
Colour Temperature	Switchable - 3000K, 4000K or 6000K
Wattage	8W
Beam Angle	60°
Total Lumens	WW - 782lm NW - 916lm, CW - 805lm
IP Rating	IP65
Colour Rendering Index	>Ra 80
Finish	White (Chrome, Brushed Nickel, Matt Black & Gold available to purchase separate)
Cut Out Size	70mm

PART CODE & DESCRIPTION

Riga Trio LED Downlight White	SY9004WH
ADDITIONAL BEZELS	
Chrome Bezel	SY9006CC
Brushed Nickel Bezel	SY9005BN
Matt Black Bezel	SY9005BL
Gold Bezel	SY9005G
Copper Bezel	SY9005CO

Power Converter Included



NEW



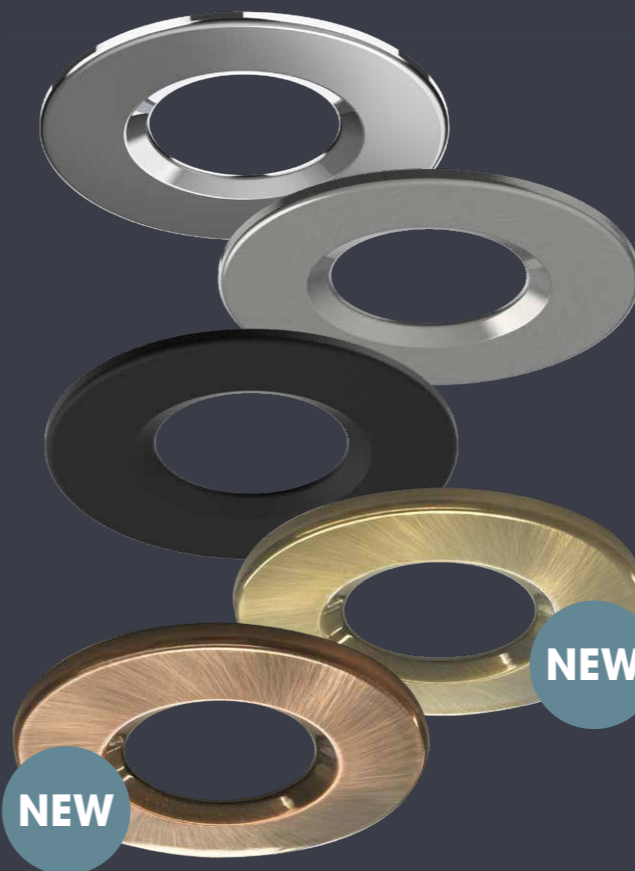
RIGA UNO

DIMMABLE IP65 FIRE RATED DOWNLIGHT

This ultra slim fitting is designed to allow loft insulation to be continuously run over the back of the fitting (IC Rated), and features a speed fit, tool free, loop in - loop out terminal.

The fitting comes complete with a white bezel, but other colour options are also available to purchase separate, listed below.

Available in either warm or natural white, It is also fully dimmable from most standard wall dimmers, and also includes the power converter. The light output is equivalent to a 50W GU10 halogen lamp, but due to the latest LED technology it uses 85% less energy, helping to save money and the environment.



NEW

NEW

TECHNICAL INFO

Power Supply	240V
Colour Appearance	Warm or Natural White
Colour Temperature	2700K - 3500K or 4000K - 4500K
Wattage	6W
Beam Angle	40°
Total Lumens	600lm
IP Rating	IP65
Colour Rendering Index	>Ra 80
Finish	White (Chrome, Brushed Nickel, & Matt Black available to purchase separate)
Cut Out Size	68mm - 70mm

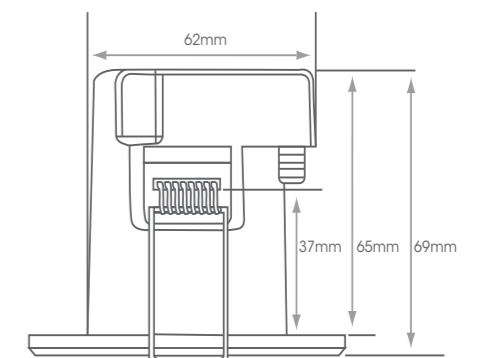
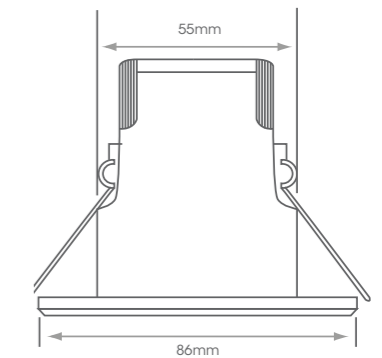
PART CODE & DESCRIPTION

Riga Uno LED Downlight Warm White	SY9057WW
Riga Uno LED Downlight Natural White	SY9057NW

ADDITIONAL BEZELS

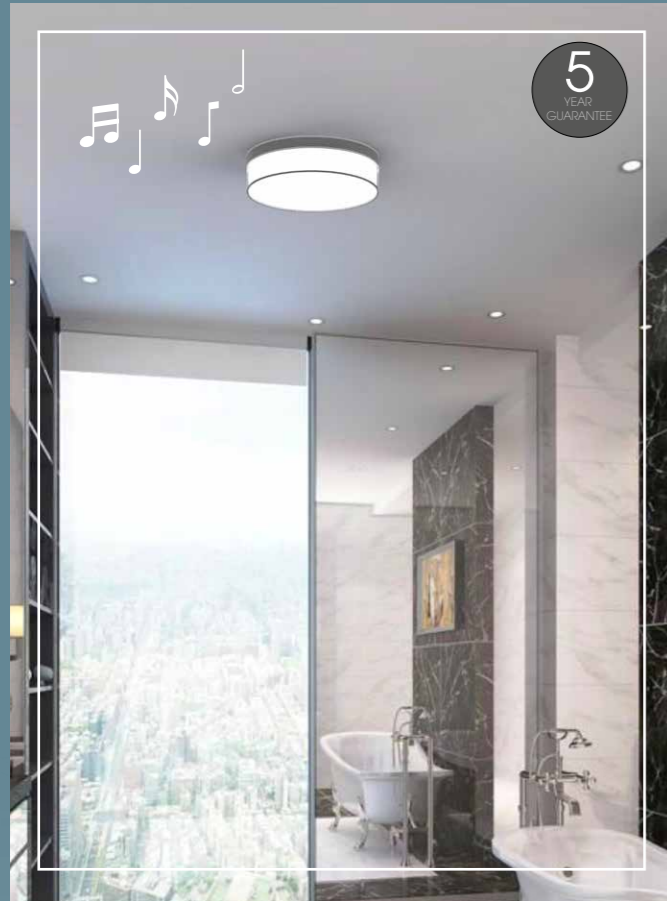
Chrome Bezel	SY9051CC
Brushed Nickel Bezel	SY9051BN
Matt Black Bezel	SY9051BK
Gold Bezel	SY9051G
Copper Bezel	SY9051CO

Power Converter Included



ASPEN 1

TUNABLE LED CEILING LIGHT
IP44 & WITH BLUETOOTH SPEAKER



This unique ceiling light features a Bluetooth Speaker, enabling users to stream music from connected devices such as smartphones or tablets, and is also tunable white using the supplied remote control.

Choose the desired colour temperature to suit the installation, from warm white, to natural white and to cool white, as well as dim and switch on or off, by simply using the remote control.

This fitting also provides a uniform light output due to the edge lit feature.

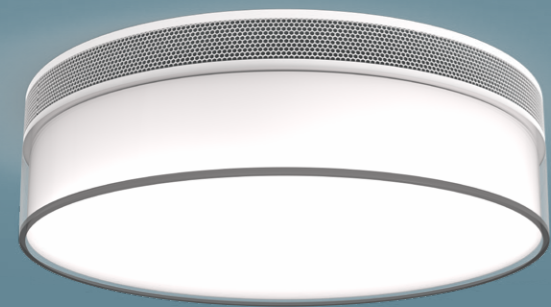
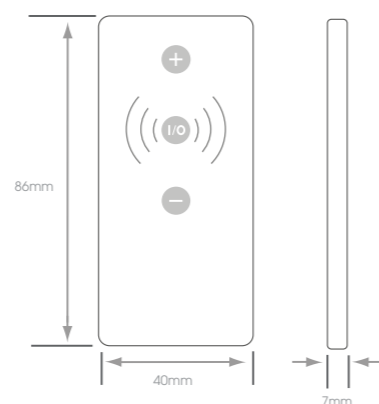
TECHNICAL INFO

Power Supply	240V
Guarantee	5 Years
Colour Appearance	Tunable White (Warm, Natural, Cool)
Colour Temperature	Tunable (2700K, 4000K, 6500K)
Total Lumens	1200lm
Colour Rendering Index	>Ra 80
Wattage	17W (+6W Speaker)
IP Rating	IP44

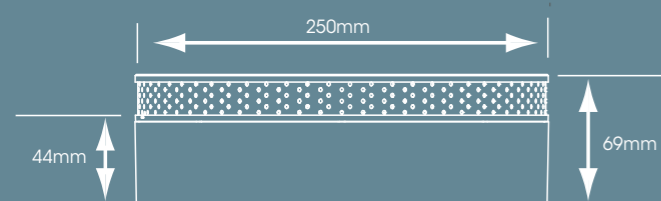
PART CODE & DESCRIPTION

Aspen 1 IP44 Tunable LED Ceiling Light with Bluetooth Speaker SY9012

No Power Converter Required

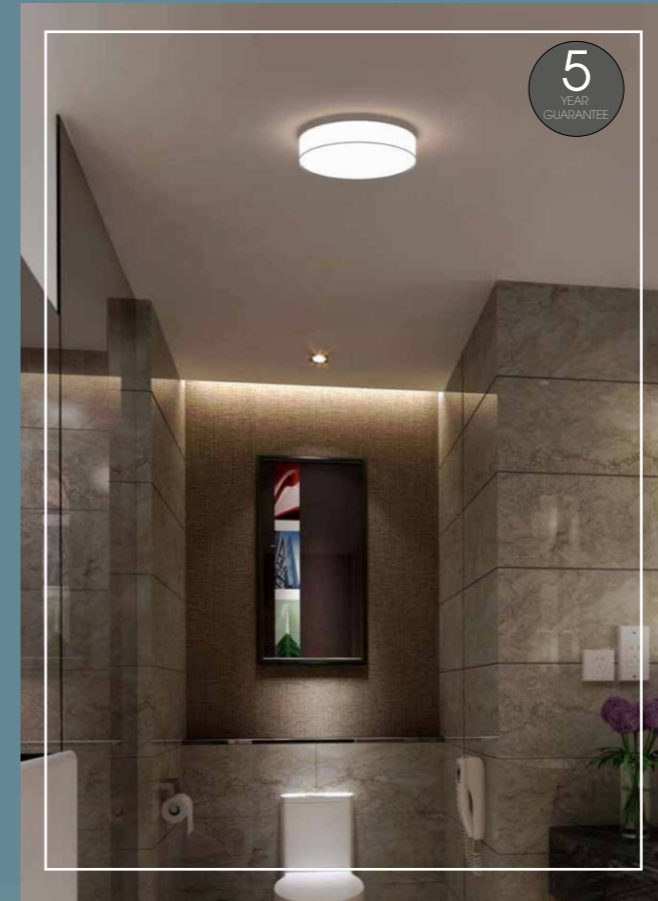


Remote control included.



ASPEN 2

IP44 LED CEILING LIGHT



This IP44 rated downlight is perfect for situating in a bathroom. Available in natural white, this fitting provides a uniform light output due to the edge lit feature.

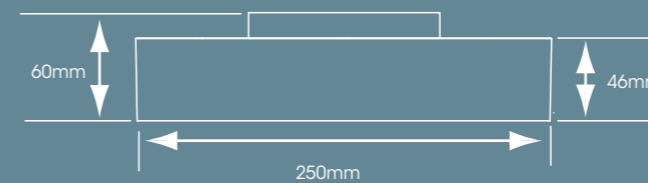
TECHNICAL INFO

Power Supply	240V
Guarantee	5 Years
Colour Appearance	Natural White
Colour Temperature	4000K - 4500K
Total Lumens	1200lm
Colour Rendering Index	>Ra 80
Wattage	17W
IP Rating	IP44

PART CODE & DESCRIPTION

Aspen 2 IP44 LED Ceiling Light SY9010

No Power Converter Required



EDEN E27 IP44 PENDANT



- 240V
- Requires 1 x E27 lamp (not included)
- Black finish
- Adjustable flex
- Height: 400 - 1300mm
- Pendant Height: 300mm
- Diameter: 250mm

PART CODE & DESCRIPTION

Eden E27 IP44 Pendant	SY8823BL
Lamp Options (Warm White)	
E27 Filament 5W LED Lamp (dimmmable) Round	CR7239
E27 Filament LED Lamp (dimmmable) GLS	SY7986/E27GLS
E27 Filament LED Lamp (dimmmable) Candle	SY7986/E27

COLORADO E27 IP44 PENDANT



- 240V
- Requires 1 x E27 lamp (not included)
- Black finish
- Adjustable flex
- Height: 350 - 1250mm
- Pendant Height: 250mm
- Diameter: 300mm

PART CODE & DESCRIPTION

Colorado Black E27 IP44 Pendant	SY8824BL
Lamp Options (Warm White)	
E27 Filament 5W LED Lamp (dimmmable) Round	CR7239
E27 Filament LED Lamp (dimmmable) GLS	SY7986/E27GLS
E27 Filament LED Lamp (dimmmable) Candle	SY7986/E27

YUKON E27 IP44 PENDANT



- 240V
- Requires 1 x E27 lamp (not included)
- Chrome finish
- Adjustable flex
- Height: 280 - 1180mm
- Pendant Height: 180mm
- Diameter: 280mm

PART CODE & DESCRIPTION

Yukon E27 IP44 Pendant	SY8828CC
Lamp Options (Warm White)	
E27 Filament 5W LED Lamp (dimmmable) Round	CR7239
E27 Filament LED Lamp (dimmmable) GLS	SY7986/E27GLS
E27 Filament LED Lamp (dimmmable) Candle	SY7986/E27

NILE E27 IP44 PENDANT



- 240V
- Requires 1 x E27 lamp (not included)
- Smoky black glass shade
- Adjustable flex
- Height: 350 - 1250mm
- Pendant Height: 250mm
- Diameter: 300mm

PART CODE & DESCRIPTION

Nile E27 IP44 Pendant	SY8829
Lamp Options (Warm White)	
E27 Filament 5W LED Lamp (dimmmable) Round	CR7239
E27 Filament LED Lamp (dimmmable) GLS	SY7986/E27GLS
E27 Filament LED Lamp (dimmmable) Candle	SY7986/E27

COLORADO E27 IP44 PENDANT



- 240V
- Requires 1 x E27 lamp (not included)
- Antique brass finish
- Adjustable flex
- Height: 350 - 1250mm
- Pendant Height: 250mm
- Diameter: 300mm

PART CODE & DESCRIPTION

Colorado Antique Brass E27 IP44 Pendant	SY8824AB
Lamp Options (Warm White)	
E27 Filament 5W LED Lamp (dimmmable) Round	CR7239
E27 Filament LED Lamp (dimmmable) GLS	SY7986/E27GLS
E27 Filament LED Lamp (dimmmable) Candle	SY7986/E27

AVON E27 IP44 PENDANT



- 240V
- Requires 1 x E27 lamp (not included)
- Black finish
- Adjustable flex
- Height: 310 - 1210mm
- Pendant Height: 210mm
- Diameter: 350mm

PART CODE & DESCRIPTION

Avon E27 IP44 Pendant	SY8825BL
Lamp Options (Warm White)	
E27 Filament 5W LED Lamp (dimmmable) Round	CR7239
E27 Filament LED Lamp (dimmmable) GLS	SY7986/E27GLS
E27 Filament LED Lamp (dimmmable) Candle	SY7986/E27

CLYDE E27 IP44 PENDANT



- 240V
- Requires 1 x E27 lamp (not included)
- Clear glass shade
- Adjustable Flex
- Height: 250 - 1150mm
- Pendant Height: 250mm
- Diameter: 280mm

PART CODE & DESCRIPTION

Clyde E27 IP44 Pendant	SY8830AC
Lamp Options (Warm White)	
E27 Filament 5W LED Lamp (dimmmable) Round	CR7239
E27 Filament LED Lamp (dimmmable) GLS	SY7986/E27GLS
E27 Filament LED Lamp (dimmmable) Candle	SY7986/E27

OHIO E27 IP44 PENDANT



- 240V
- Requires 1 x E27 lamp (not included)
- Clear glass shade
- Adjustable flex
- Height: 310 - 1210mm
- Pendant Height: 210mm
- Diameter: 250mm

PART CODE & DESCRIPTION

Ohio E27 IP44 Pendant	SY8831
Lamp Options (Warm White)	
E27 Filament 5W LED Lamp (dimmmable) Round	CR7239
E27 Filament LED Lamp (dimmmable) GLS	SY7986/E27GLS
E27 Filament LED Lamp (dimmmable) Candle	SY7986/E27

HUDSON E27 IP44 PENDANT



- 240V
- Requires 1 x E27 lamp (not included)
- Chrome glass shade
- Adjustable flex
- Height: 330 - 1230mm
- Pendant Height: 250mm
- Diameter: 230mm

PART CODE & DESCRIPTION

Hudson E27 IP44 Pendant	SY8826
Lamp Options (Warm White)	
E27 Filament 5W LED Lamp (dimmmable) Round	CR7239
E27 Filament LED Lamp (dimmmable) GLS	SY7986/E27GLS
E27 Filament LED Lamp (dimmmable) Candle	SY7986/E27

MADEIRA E27 IP44 PENDANT



- 240V
- Requires 1 x E27 lamp (not included)
- Holographic chrome shade. (Please note each shade is unique in design)
- Adjustable flex
- Height: 330 - 1230mm
- Pendant Height: 250mm
- Diameter: 230mm

PART CODE & DESCRIPTION

Madeira E27 IP44 Pendant	SY8827
Lamp Options (Warm White)	
E27 Filament 5W LED Lamp (dimmmable) Round	CR7239
E27 Filament LED Lamp (dimmmable) GLS	SY7986/E27GLS
E27 Filament LED Lamp (dimmmable) Candle	SY7986/E27

DANUBE E27 IP44 PENDANT



- 240V
- Requires 1 x E27 lamp (not included)
- Clear & smoky glass shade
- Adjustable flex
- Height: 310 - 1210mm
- Pendant Height: 210mm
- Diameter: 150mm

PART CODE & DESCRIPTION

Danube E27 IP44 Pendant	SY8832
Lamp Options (Warm White)	
E27 Filament 5W LED Lamp (dimmmable) Round	CR7239
E27 Filament LED Lamp (dimmmable) GLS	SY7986/E27GLS
E27 Filament LED Lamp (dimmmable) Candle	SY7986/E27

LENA E27 IP44 PENDANT



- 240V
- Requires 1 x E27 lamp (not included)
- Smoky black glass shade with dimples
- Adjustable flex
- Height: 350 - 1250mm
- Pendant Height: 250mm
- Diameter: 260mm

PART CODE & DESCRIPTION

Lena E27 IP44 Pendant	SY8833
Lamp Options (Warm White)	
E27 Filament LED Lamp (dimmmable) Candle	SY7986/E27

RIA CEILING LIGHT



- IP44 Rated - Suitable for bathroom zone 2
- Requires 5 x G9 LED lamps (max 3W, not included)
- Chrome plated metalwork with glass crystal shades
- Projection: 160mm
- Dia: 450mm

PART CODE & DESCRIPTION

Ria Ceiling Light (lamp not included)

SY97954

ALISONA CEILING LIGHT



- IP44 Rated - Suitable for bathroom zone 2
- Requires 4 x G9 LED lamps (max 3W, not included)
- Chrome plated metalwork with faceted glass crystals
- Projection: 400mm
- Dia: 490mm

PART CODE & DESCRIPTION

Alisona Ceiling Light (lamp not included)

SY97489

AXIS LED WALL LIGHT



- IP44 Rated - Suitable for bathroom zone 2
- Built in 8W LED (6500K)
- Total lumens 640lm
- Chrome effect with frosted plastic
- Projection: 120mm
- Height: 42mm
- Length: 400mm

PART CODE & DESCRIPTION

Axis LED Wall Light Cool White

SY78158

BRITTON WALL LIGHT



- IP44 Rated - Suitable for bathroom zone 2
- Requires 1 x G9 LED lamp (max 18W, not included)
- Chrome plate with clear and frosted glass
- Projection: 130mm
- Height: 155mm
- Width: 85mm

PART CODE & DESCRIPTION

Britton Wall Light (lamp not included)

SY53385

CHESTON CEILING LIGHT



- IP44 Rated - Suitable for bathroom zone 2
- Requires 1 x E27 lamp (max 10W, not included)
- Chrome plated metalwork with clear ribbed glass shade
- Projection: 300mm
- Dia: 240mm

PART CODE & DESCRIPTION

Cheston Ceiling Light (lamp not included)

SY97989

CHESWICK CEILING LIGHT



- IP44 Rated - Suitable for bathroom zone 2
- Requires 1 x E27 lamp (max 10W, not included)
- Chrome plated metalwork with clear glass shade
- Projection: 245mm
- Dia: 200mm

PART CODE & DESCRIPTION

Cheswick Ceiling Light (lamp not included)

SY97638

MODA LED WALL LIGHT



- IP44 Rated - Suitable for bathroom zone 2
- Built in 15W LED (6500K)
- Total lumens 1350lm
- Supplied with rocker switch
- White ribbed and chrome effect plastic
- Projection: 70mm
- Height: 52mm
- Width: 598mm

PART CODE & DESCRIPTION

Moda LED Wall Light Cool White

SY93493

ASTRAL LED WALL LIGHT



- IP44 Rated - Suitable for bathroom zone 2
- Built in 12W LED (3000K)
- Total lumens 520lm
- Textured black finish with white diffuser
- Projection: 170mm
- Height: 450mm
- Width: 135mm

PART CODE & DESCRIPTION

Astral LED Wall Light Warm White

SY97101

IONA CEILING LIGHT



- IP44 Rated - Suitable for bathroom zone 2
- Requires 1 x E27 lamp (max 10W, not included)
- Chrome plated metalwork with faceted glass crystals
- Projection: 285mm
- Dia: 285mm

PART CODE & DESCRIPTION

Iona Ceiling Light (lamp not included)

SY97505

MILSTON CEILING LIGHT



- IP44 Rated - Suitable for bathroom zone 2
- Requires 1 x E27 lamp (max 10W, not included)
- Chrome plated metalwork with clear spiral design glass shade
- Projection: 300mm
- Dia: 240mm

PART CODE & DESCRIPTION

Milston Ceiling Light (lamp not included)

SY97988

NEWHAM WALL LIGHT



- IP44 Rated - Suitable for bathroom zone 2
- Requires 2 x G9 LED lamps (max 3W, not included)
- Chrome plated with clear ribbed glass diffuser
- Projection: 75mm
- Height: 315mm
- Width: 75mm
- Smaller size available

PART CODE & DESCRIPTION

Newham Wall Light (lamp not included)

SY97720

HAMPTON WALL LIGHT



- IP44 Rated - Suitable for bathroom zone 2
- Requires E14 lamp (max 4W, not included)
- Clear glass and chrome plate
- Supplied with pull cord switch
- Projection: 200mm
- Height: 280mm
- Width: 140mm

PART CODE & DESCRIPTION

Hampton Wall Light (lamp not included)

SY77804

PULSA CEILING LIGHT



- IP44 Rated - Suitable for bathroom zone 2
- Requires 3 x G9 LED lamps (max 3W, not included)
- Matt black painted metalwork with matt white glass shades
- Projection: 175mm
- Dia: 395mm

PART CODE & DESCRIPTION

Pulsa Ceiling Light (lamp not included)

SY94989

SHIMMER CEILING LIGHT



- IP44 Rated - Suitable for bathroom zone 2
- Requires 5 x G9 LED lamps (max 18W, not included)
- Chrome plated metalwork with high quality K9 clear crystals
- Projection: 130mm
- Dia: 345mm

PART CODE & DESCRIPTION

Shimmer Ceiling Light (lamp not included)

SY93311

BLACK CAGED WALL LIGHT



- IP44 Rated - Suitable for bathroom zone 2
- Requires E27 lamp (max 6W, not included)
- Matt black painted finish
- Supplied with pull cord switch
- Projection: 162mm
- Height: 286mm
- Width: 110mm

PART CODE & DESCRIPTION

Black Caged Wall Light (lamp not included)

SY101448

ARCH WALL LIGHT



- IP44 Rated - Suitable for bathroom zone 2
- Requires E27 lamp (max 10W, not included)
- Satin brushed Gold plated finish with clear ribbed glass
- With pull cord switch
- Projection: 229mm
- Height: 302mm
- Width: 150mm

PART CODE & DESCRIPTION

Arch Wall Light (lamp not included)

SY97007

All fittings shown on this page are suitable for zone 1 if used in conjunction with a 30MA RCD. For lamp options please visit our website.

All fittings shown on this page (excluding Astral SY97101) are suitable for zone 1 if used in conjunction with a 30MA RCD. For lamp options please visit our website.

NOVA PRO

RECHARGEABLE LITHIUM BATTERY SENSOR LIGHT



The new Nova Pro lithium battery light is perfect for situating within cabinets, cupboards or drawers. The unit features a integrated PIR sensor, to automatically turn the light on when movement is sensed within a 4 metre range. When no further movement is detected after 20 seconds, the unit will turn itself off.

It features a slim, discreet profile, with a diffused natural white LED illuminated panel. It is also easily removed from its magnetic brackets for charging. USB-C charging cable included

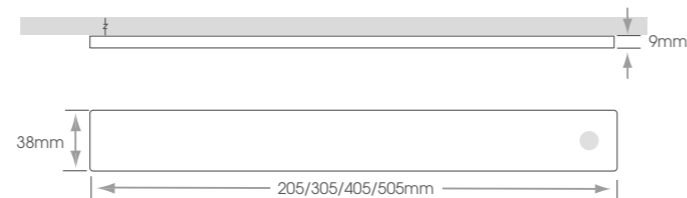
The battery light will last for one month based on 5 minutes use per day, and takes 2.5 hours to charge from empty to fully charged.

TECHNICAL INFO

Finish	Silver
Lithium Battery	5V
Battery Capacity	600mAh - 2400mAh
Lighting Time	1 Month (based on 5 minutes usage per day without charge)
Re-charge Time	2.5 hours from no charge to full
Charging	Via USB cable (included)
Colour Appearance	Natural White
Colour Temperature	4000K - 4500K
PIR Sensor Max Distance	4m
Guarantee	12 Months

PART CODE & DESCRIPTION

Nova Pro 205mm	SY9039
Nova Pro 305mm	SY9040
Nova Pro 405mm	SY9041
Nova Pro 505mm	SY9042



SIRIUS RECESSED/SURFACE

LED CABINET LIGHT



The Sirius has a diffused cover to mimic the appearance of halogen cabinet lights, and has no visible LED points. Sirius also has a 120 degree beam angle, which fills cabinets or vanity areas, and eliminates dark spots. The fitting is IP44 rated so suitable for use in a bathroom, ideal for cabinets or shelving.

PART CODE & DESCRIPTION

Recessed Brushed Nickel/Warm White	SY7453BN/WW
Recessed Brushed Nickel/Natural White	SY7453BN/NW
Recessed Chrome/Natural White	SY7453CC/NW
Surface Brushed Nickel/Warm White	SY7462BN/WW
Surface Brushed Nickel/Natural White	SY7462BN/NW
Surface Chrome/Natural White	SY7462CC/NW

COMPATIBLE POWER CONVERTERS

8W 12Vdc LED Power Converter (1 - 3 lights)	SY9980B
15W 12Vdc LED Power Converter (1 - 5 lights)	SY9739B
20W 12Vdc LED Power Converter (1 - 6 lights)	SY7350C

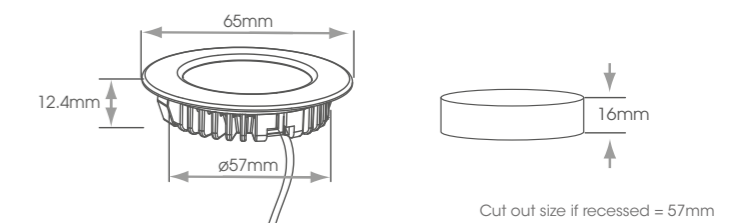
COMPATIBLE ACCESSORIES

Sensors & Switches	Page 78-81
Wi-Fi 4 Zone Controls	Website
2m (SY7183) or 5m (SY7183/5) Extension Cable	

TECHNICAL INFO

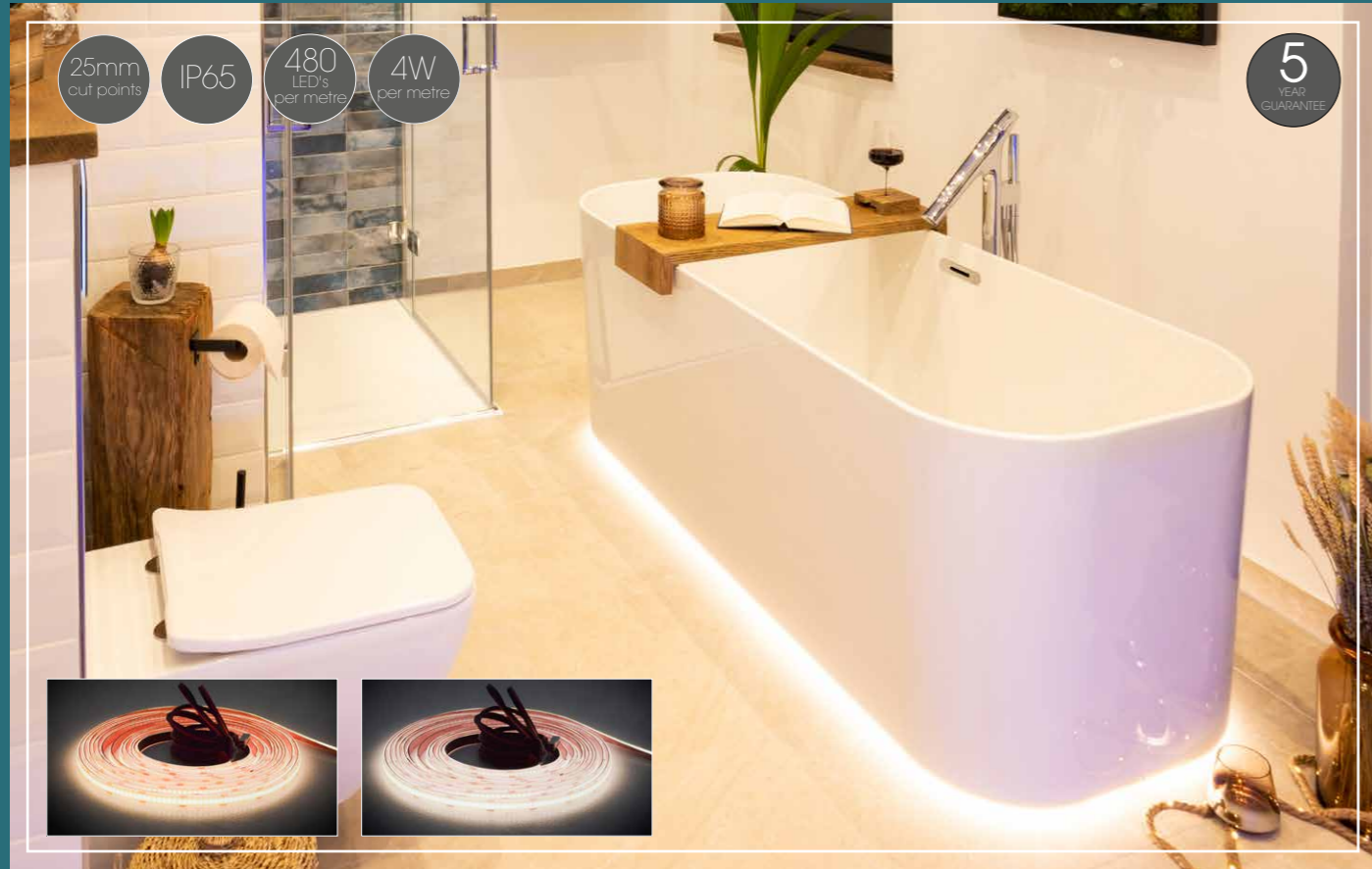
Finish	Chrome or Brushed Nickel
Power Supply	12Vdc
Cable Length	2m
Guarantee	5 Years
Colour Appearance	Warm White* or Natural White
Colour Temperature	3000K - 3500K or 4000K - 4500K
Total Lumens	WW - 140lm NW - 140lm
Colour Rendering Index	Ra 84
Wattage	2.6W
IP Rating	IP44
Beam Angle	120°

* Warm White only available in Brushed Nickel



COB IP65

LED FLEXIBLE STRIP 3m REEL



This COB LED strip features LED points within close proximity to each other, creating a uniform light output with no spotting, and is IP65 rated, which is suitable for installation within a bathroom. This LED strip also comes with VHB (Very High Bond) tape.

PART CODE & DESCRIPTION

COB IP65 3m Reel Warm or Natural White SY9093WW or NW

Accessories

Sensors & Switches Page 78-81
 Wi-Fi 4 Zone Controls Website
 Aluminium Extrusions Page 74
 2m (SY7183) or 5m (SY7183/5) Extension Cable

TECHNICAL INFO

Power Supply 12Vdc
 Adhesive 3M VHB
 Cable Length 2m at both ends
 Colour Appearance Warm White or Natural White
 Colour Temperature 3000K - 3500K or 4000K - 4500K
 Colour Rendering Index > Ra 80
 Wattage 4W/m
 IP Rating IP65
 Cut Marks Every 25mm
 LEDs per metre 480

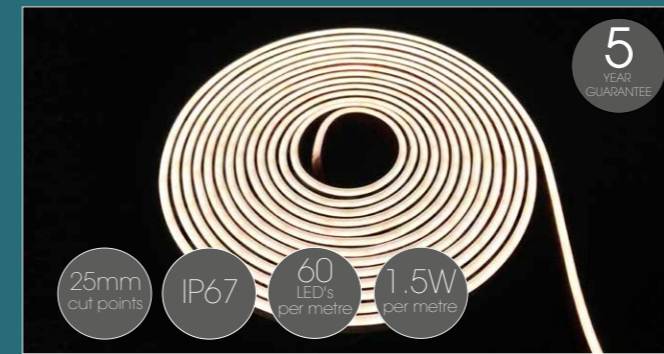
COMPATIBLE POWER CONVERTERS

15W 12Vdc LED Power Converter (up to 3m) SY9739B
 20W 12Vdc LED Power Converter (up to 5m) SY7350C
 30W 12Vdc LED Power Converter (up to 7m) SY7715A



ARC

IP67 LED FLEXIBLE STRIP



PART CODE & DESCRIPTION

5M ARC Reel Warm or Natural White SY9026WW or NW

COMPATIBLE POWER CONVERTERS

8W 12Vdc LED Power Converter (max 5m) SY9980B
 15W 12Vdc LED Power Converter (max 10m) SY9739B



ASTRAL

IP65 LED FLEXIBLE LED STRIP



PART CODE & DESCRIPTION

1M LED Strip Warm or Natural White SY8983WW or NW
 2M LED Strip Warm or Natural White SY8984WW or NW
 3M LED Strip Warm or Natural White SY8985WW or NW

COMPATIBLE POWER CONVERTERS

15W 12Vdc LED Power Converter (3m max) SY9739B
 20W 12Vdc LED Power Converter (5m max) SY7350C
 30W 12Vdc LED Power Converter (7m max) SY7715A



The super-slim ARC LED strip offers a discreet, dot-less uniform light line. It can be recessed or surface mounted into or under cabinets or cupboards, alcoves or wall features

The super-slim ARC can negotiate 90 degree internal and external corners without creating any dark spots, and at 1.5w per metre, it is very energy efficient.

The product is IP67 rated so it is totally waterproof and perfect for enhancing any bathroom design.

TECHNICAL INFO

Power Supply 12Vdc
 Adhesive 3M VHB
 Cable Length 2m at both ends
 Guarantee 5 Years
 Colour Appearance Warm White or Natural White
 Colour Temperature 3000K - 3500K or 4000K - 4500K
 Colour Rendering Index > Ra 90
 Wattage 1.5W/m
 IP Rating IP67
 Cut Marks Every 25mm
 LEDs per metre 60

COMPATIBLE ACCESSORIES

Sensors & Switches Page 78-81
 Wi-Fi 4 Zone Controls Website
 2m (SY7183) or 5m (SY7183/5) Extension Cable

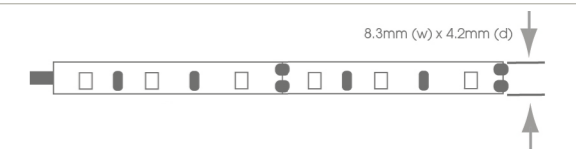
This LED strip is available in warm or natural white, and is IP65 rated so ideal for use in a bathroom.

TECHNICAL INFO

Power Supply 12Vdc
 Adhesive 3M VHB
 Cable Length 1.5m at one end
 Guarantee 5 Years
 Colour Appearance Warm White or Natural White
 Colour Temperature 3000K - 3500K or 4000K - 4500K
 Colour Rendering Index WW - Ra 85 NW - Ra 85
 Wattage 4W/m
 IP Rating IP65
 Cut Marks Every 50mm
 LEDs per metre 60

COMPATIBLE ACCESSORIES

Sensors & Switches Page 78-81
 Wi-Fi 4 Zone Controls Website
 Aluminium Extrusions (Various available) Page 74
 2m (SY7183) or 5m (SY7183/5) Extension Cable

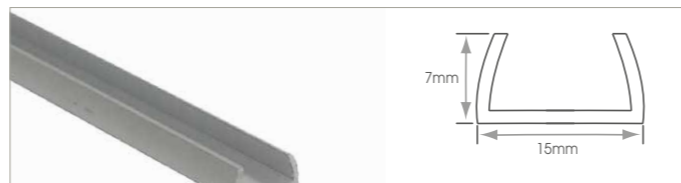


ALUMINIUM EXTRUSIONS FOR LED STRIP

Mounting LED strip within an extrusion not only helps to keep runs straight and neat, it also assists with heat dissipation, therefore prolonging the life of the LED strip. A diffuser finishes off the clean look, and provides protection from dust and water splashes. We have various styles available depending on the application.



1m Shallow Surface Mounted Extrusion Aluminium SY9573/1
2m Shallow Surface Mounted Extrusion Aluminium SY9573/2



1m Surface Mounted Extrusion Aluminium SY7367
2m Surface Mounted Extrusion Aluminium SY7367/2



2m Surface Mounted Extrusion Aluminium SY7482
2m Surface mounted Extrusion Matt Black SY7482MB
(including opal diffuser, end caps & mounting clips)



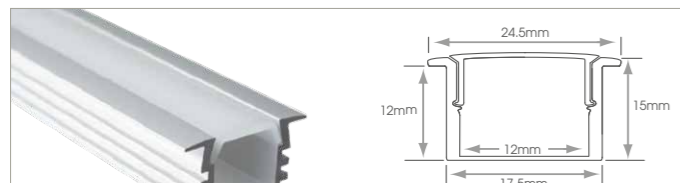
2m Slim Surface Mounted Extrusion Matt Black SY7689BL
(including opal diffuser & end caps)



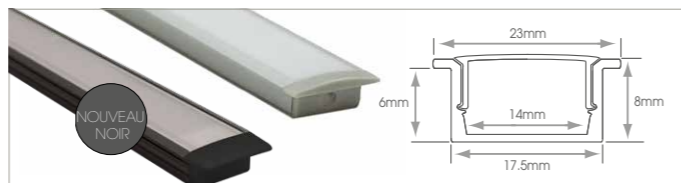
1m Deep Surface Mounted Extrusion Aluminium SY9583A/1
2m Deep Surface Mounted Extrusion Aluminium SY9583A/2
(including opal diffuser, end caps & mounting clips)



2.5m Surface Extrusion Aluminium SY7988/2.5
(including opal diffuser & end caps)



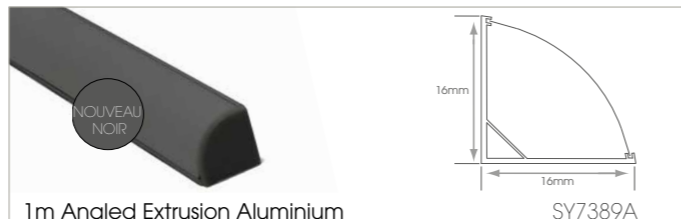
1m Deep Recessed Extrusion Aluminium SY7795/1
2m Deep Recessed Extrusion Aluminium SY7795/2
(including opal diffuser & end caps)



1m Recessed Extrusion Aluminium SY7388A
2m Recessed Extrusion Aluminium SY7392A
2m Recessed Extrusion Matt Black SY7392MB
(including opal diffuser & end caps)



1m Angled Extrusion with 45° Diffuser Aluminium SY7843A/1
2m Angled Extrusion with 45° Diffuser Aluminium SY7843A/2
(including opal diffuser, end caps & mounting clips)



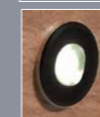
1m Angled Extrusion Aluminium SY7389A
2m Angled Extrusion Aluminium SY7409A
2m Angled Extrusion Matt Black SY7409BL/B
(inc. diffuser (opal for aluminium, black for matt black), end caps & mounting clips)

VERVE IP67 15MM LED PLINTH LIGHT



PART CODE & DESCRIPTION

Verve 15mm Plinth 4 Light Kit*	SY9936WW or CW
Verve 15mm Plinth 10 Light Kit*	SY9928A/WW or CW
Verve 15mm Plinth Additional Light Black Cover	SY9937WW or CW SY9939BK



* Power converter included in kit (max 10 lights)

SIRIUS IP44 SQUARE LED PLINTH LIGHT



PART CODE & DESCRIPTION

Sirius Square Plinth 3 Light Kit*	SY7523WW or NW
-----------------------------------	----------------

* Power converter included in kit (max 3 lights)



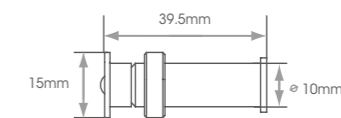
The small and discreet recessed Verve plinth light is available with either cool or warm white LED, giving a choice to suit any particular bathroom design. The plinth lights are IP67 rated, making them suitable for use in a bathroom. An optional black cover is also available.

TECHNICAL INFO

Finish	Stainless Steel
Power Supply	12Vdc
Cable Length	1.5m
Guarantee	5 Years
Colour Appearance	Warm White or Cool White
Colour Temperature	3000K - 3500K or 6000K - 6500K
Wattage	0.2W
IP Rating	IP67

COMPATIBLE ACCESSORIES

Sensors & Switches	Page 78-81
Wi-Fi 4 Zone Controls	Website
2m (SY7183) or 5m (SY7183/5) Extension Cable	



Cut out size = 10mm



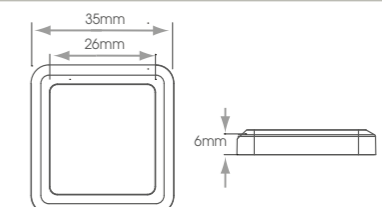
The small square plinth light is part of our Sirius collection which features a diffused cover to hide the LED points within the fitting for a sleek look. The square plinth light is surface mounted, and is easily installed using the strong adhesive back included.

TECHNICAL INFO

Finish	Stainless Steel
Power Supply	12Vdc
Cable Length	2m
Guarantee	5 Years
Colour Appearance	Warm White or Natural White
Colour Temperature	3000K - 3500K or 4000K - 4500K
Wattage	1.5W
IP Rating	IP44

COMPATIBLE ACCESSORIES

Sensors & Switches	Page 78-81
Wi-Fi 4 Zone Controls	Website
2m (SY7183) or 5m (SY7183/5) Extension Cable	



VEGA

IP44 ILLUMINATED LED SHELF



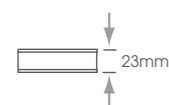
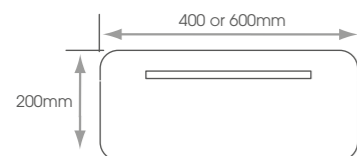
This LED shelf features a stylish panel, with a natural white light emitted through the shelf from the LED situated within the aluminium.

The shelf is easily installed using the hanging brackets supplied and is available in 400mm or 600mm lengths.

The maximum load of the shelf is 3KG and is suitable for installation in bathrooms zones 1 and 2.

TECHNICAL INFO

Finish	Aluminium
Power Supply	240V
Cable Length	2m
Colour Appearance	Natural White
Colour Temperature	4000K - 4500K
Wattage	13W/16W
IP Rating	IP44



PART CODE & DESCRIPTION

Vega IP44 Illuminated LED Shelf 400mm	SY8939
Vega IP44 Illuminated LED Shelf 600mm	SY8940

SIRIUS

IP44 ILLUMINATED LED FLOATING SHELF



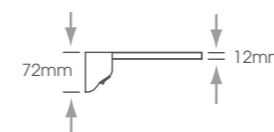
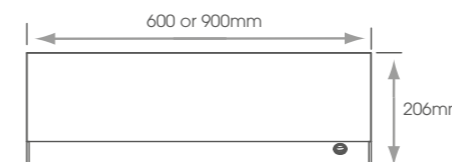
This LED shelf features a stylish opal acrylic panel, with a natural white glow emitted through the shelf from the LED situated within the aluminium hanging bracket.

The shelf is easily installed using the included hanging brackets, and is available in 600mm or 900mm lengths.

The maximum load the shelf can hold is 3 kilograms, and is suitable for installation in bathrooms zones 1 & 2.

TECHNICAL INFO

Finish	Aluminium
Power Supply	240V
Cable Length	2m
Guarantee	5 Years
Colour Appearance	Natural White
Colour Temperature	4000K - 4500K
Wattage	10W/15W
IP Rating	IP44



PART CODE & DESCRIPTION

Sirius IP44 Illuminated LED Floating Shelf 600mm	SY7417A
Sirius IP44 Illuminated LED Floating Shelf 900mm	SY7418A

NEW



WIRELESS INFRARED SENSOR



This new sensor is the ideal solution for wireless motion detection within a bathroom.

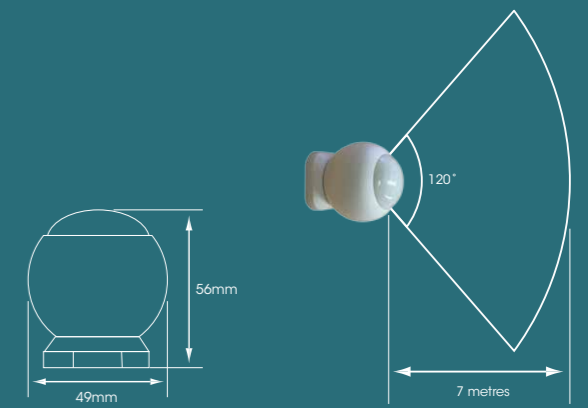
The IP54 rated sensor uses passive infra red technology to detect motion and wirelessly switches connected lighting on. It will automatically switch lights off after no further movement has been detected after 30 seconds, however this can be adjusted to suit from 30 seconds up to 60 minutes (requires remote control to enable adjustments). The remote can also adjust the brightness sensitivity from 20% to 100%, with the default brightness setting being 100%.

The sensor detects movement within a 120 degree angle, up to a range of 7 metres. The sensor head is attached to the base magnetically so is very easy to rotate. The base of the sensor is very simple to install using the adhesive pad attached.

Requires one receiver per power converter.

TECHNICAL INFO

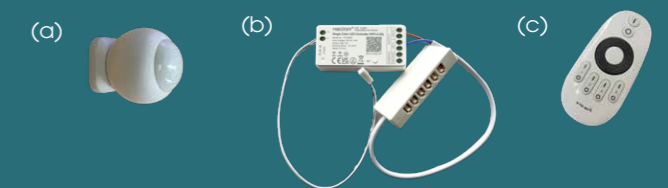
Finish	White
Power Supply	12/24Vdc
Sensor Distance	Up to 7m
Sensor Range	120°
Adjustable Timer	30 - 60 minutes (remote required)
IP Rating	IP20
Mounting	Surface via adhesive pad
Battery	CR123A 3V
Guarantee	12 Months



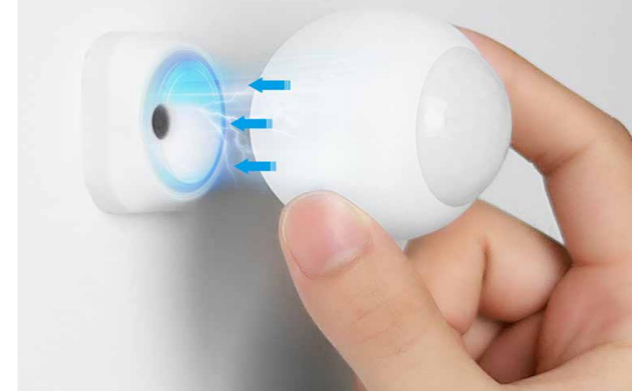
PART CODE & DESCRIPTION

(a) Wireless Passive Infra Red Sensor	SY8963RF/A
(b) Receiver	SY7542B
(c) Remote control*	SY9565

*Remote only required if adjustments to the timer/brightness sensitivity need to be made



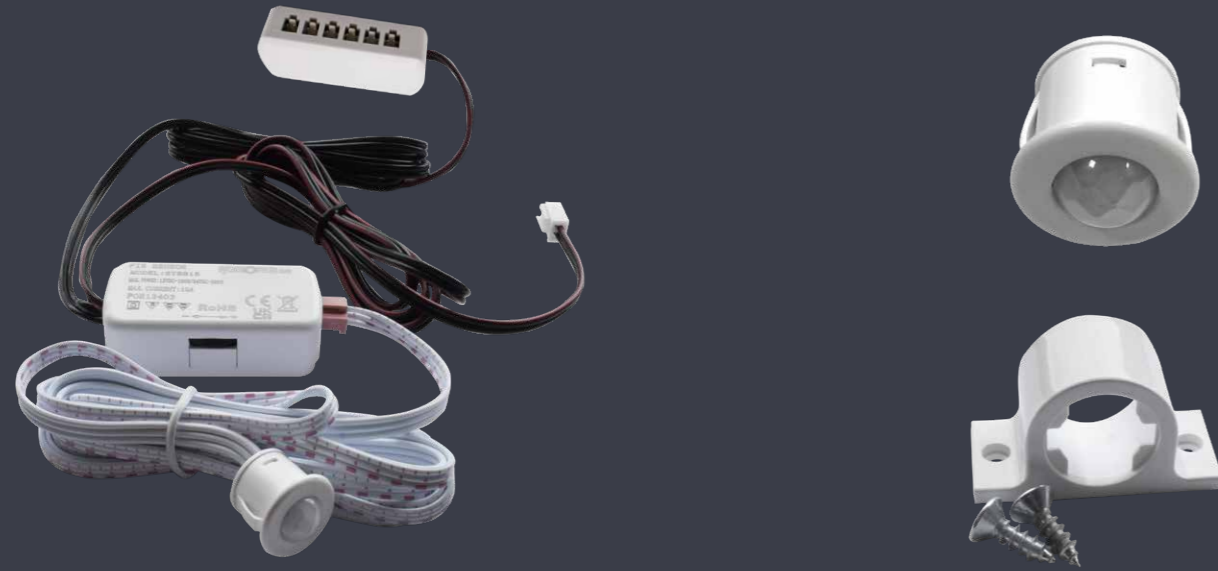
Magnetic Wall Mounted Holder



Can also be ceiling mounted



PASSIVE INFRARED SENSOR

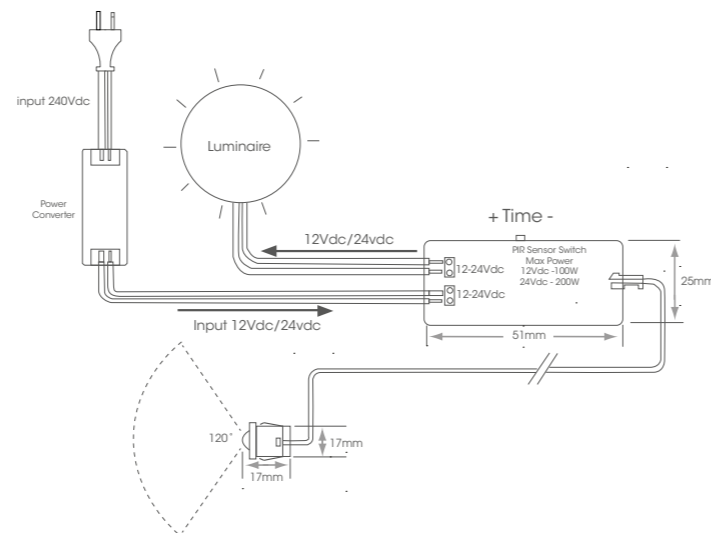


This sensor switch offers a discreet surface mounted or recessed solution for automatic switching of 12/24Vdc LED lighting. Connection via the Sycamore plug and play connector system allows connected lights to be turned on when it senses movement within a 3 metre distance at a 120 degree beam angle. The built-in timer can be adjusted from 30 to 150 seconds.

Unit includes connection for up to six lights.

TECHNICAL INFO

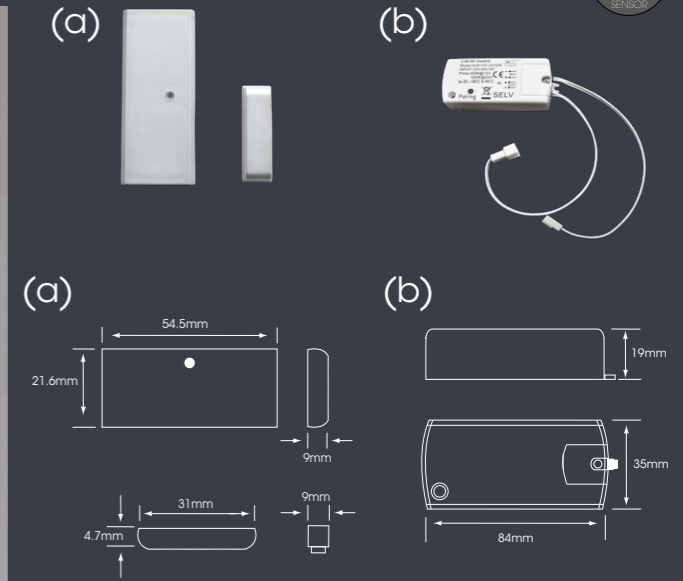
Finish	White
Power Supply	12/24Vdc
Cable Length	Sensor Cable - 2m, Input Cable - 1m Output Cable - 1m
Max Current	10A
Sensor Distance	1 - 3m
Sensor Range	120°
Adjustable Timer	30 - 150 seconds
Wattage	12Vdc 100W 24Vdc 200W
IP Rating	IP20
Mounting	Recessed or Surface (Vertical or Horizontal)
Guarantee	12 Months



PART CODE & DESCRIPTION

(a) Passive Infra Red Sensor	SY8815A
------------------------------	---------

WIRELESS MAGNETIC DOOR SENSOR



This wireless magnetic door sensor switch can turn lights on and off automatically. The switch is secured to the inside of a cabinet using the adhesive back, whilst the separate magnetic contact button is placed on the inside of the door. When the door closes the connected lights automatically switch off. Opening the door prompts the lights to turn back on.

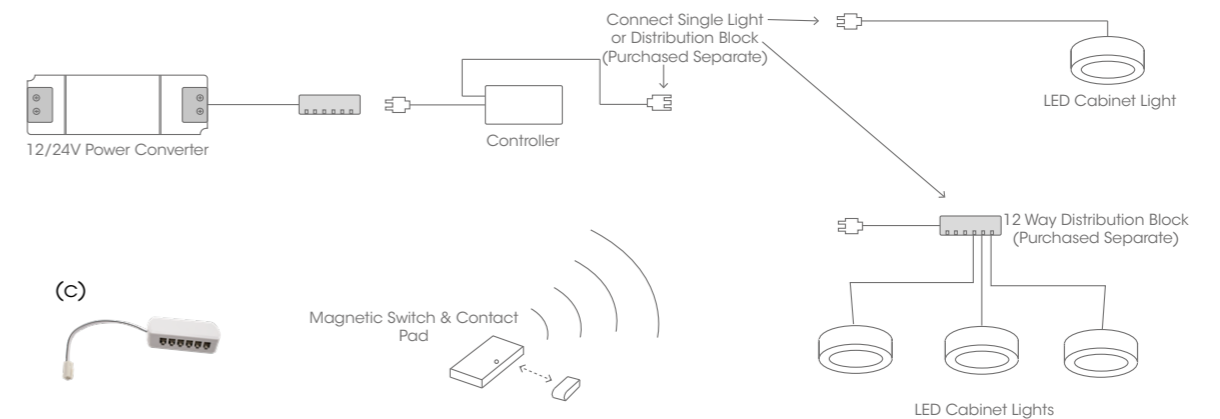
Up to 4 switches can be run from one controller, making it perfect for switching lights on and off within bathroom cabinets. The switch runs on two 3V button batteries which are very easy to change when required. Unit includes connection for one light, a 6 Way Distribution Block can be purchased separately if required.

TECHNICAL INFO

Finish	Silver
Power Supply	12/24Vdc
Cable Length	200mm
Guarantee	12 Months
Max Current	8mA
Sensor Distance	5m
Wattage	12Vdc - 36W 24Vdc - 72W
IP Rating	IP20

PART CODE & DESCRIPTION

Single Door Sensor Kit	SY2449/1
Double Door Sensor Kit	SY2449/2
Triple Door Sensor Kit	SY2449/3
Quad Door Sensor Kit	SY2449/4
Kits include 1 x controller (b) and specified number of magnetic door sensor switches (a)	
6 Way Distribution Block (c)	SY7637



EXTRACTOR FANS

ICON 15 & 30



	Icon 15	Icon 30
Extract Volume	19 l/sec (69 m ³ /h)	32 l/sec (117 m ³ /h)
Sound Pressure d B (A) @ 3M	28.8	33.3
Impeller	Axial	Mixed centrifugal/axial
Mounting (wall/ceiling)	Recessed	Recessed and Surface
Weight (Kg)	0.74	1.11
Ductable	Up to 4m	Up to 9m
Outlet (dia)	100mm (4 inch)	100mm (4 inch)
Power (watts)	9.4	26.4
Voltage	230V/1PH/50Hz	230V/1PH/50Hz
Max Amb. temp	40°C	40°C
IP Rating	IPX4	IPX4

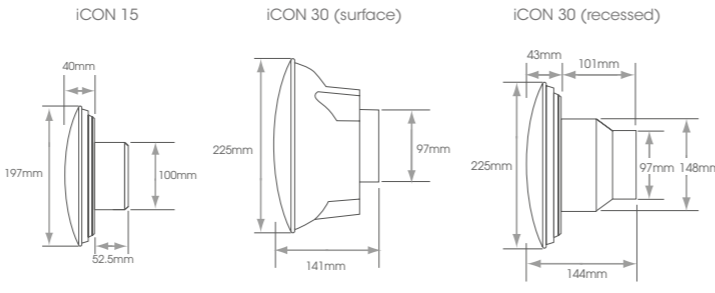
* Data above not applicable to low voltage model (SY7079), please call us for further information.



The Icon 15 is ideal for situating in smaller applications, such as toilets, en-suites, shower rooms and small bathrooms. Recessed into the wall or ceiling, it is stylish and unobtrusive, even in the smallest space. Icon 30 is quiet, powerful and designed for recessed or surface mounting in walls or ceilings in larger toilets, bathrooms and utility rooms.

The Icon 30S Low Voltage fan is ideal for locating within a shower cubicle or above a shower head.

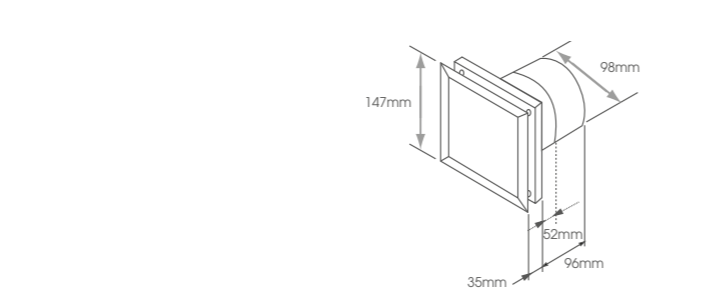
PART CODE & DESCRIPTION	
iCON 15 Extractor Fan	SY7070
iCON 30 Extractor Fan	SY7101
PCM Module - Pull Cord Module	SY7071
TM - Adjustable Timer Module	SY7072
HTM Module - Adjustable Humidity/Pull Cord/Timer	SY7094
PRTM Module - Passive Infra Red/Timer Module	SY7095
PRHTM Module - Passive Infra Red/Humidity/Timer Module	SY7096
iCON 15 Anthracite Cover	SY7097ANTH
iCON 15 Chrome Cover	SY7097CC
iCON 15 Sandstone Cover	SY7097SAND
iCON 15 Silver Cover	SY7097SIL
iCON 30 Anthracite Cover	SY7098ANTH
iCON 30 Sandstone Cover	SY7098SAND
iCON 30 Silver Cover	SY7098SIL
Terracotta 100mm Cavity Wall & Grille Kit	SY7099
Terracotta Flexible 100mm Cavity Wall & Grille	SY7100
iCON ECO 30S Low Voltage Extractor Fan*	SY7079
Pull Cord/Timer Module for (SY7079) Low Voltage Fan	SY7080



QuietAir combines contemporary design with ultra low noise levels and outstanding energy efficiency. QuietAir sets new standards for the reliable, low cost ventilation.

Suitable for toilets, en-suites and bathrooms; and at just 25dB(A) you will hardly hear the fan running, even at night!

PART CODE & DESCRIPTION	
QuietAir QT 100B	SY7073
QuietAir QT 100T (With Timer)	SY7074
Terracotta 100mm Cavity Wall & Grille Kit	SY7099
Terracotta Flexible 100mm Cavity Wall & Grille	SY7100



Dimensions are given in mm

EXTRACTOR FANS

AIR-STREAM PRO

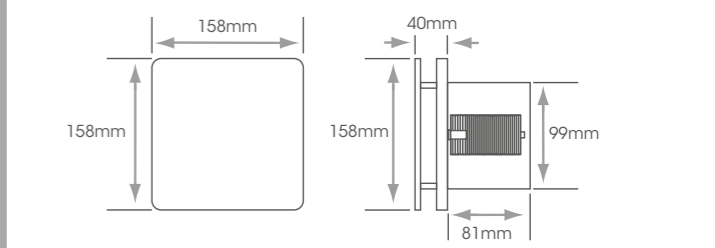


The Air-Stream Pro fan has a slim, compact and light design, suitable for bathrooms, en-suites and toilets. Designed to be fitted into walls and ceilings, this modern design is easy to wipe clean and duct over short lengths (2m max). The fan also features an integrated delay timer and a silicon steel motor with built in cut off protection.

This ultra-quiet fan is an ideal solution for removing damp moist air, odours and airborne pollutants.

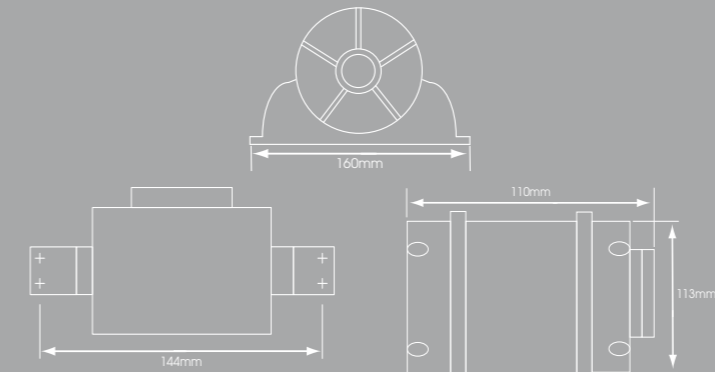
PART CODE & DESCRIPTION	
Air-Stream Pro 4" Extractor Fan Chrome	SY7059CC
Air-Stream Pro 4" Extractor Fan White	SY7059WH
Air-Stream Pro 4" Extractor Fan Black	SY7059BK
Air-Stream Pro 4" Extractor Fan Stainless Steel	SY7059SS

TECHNICAL INFO	
Finish	White/Chrome/Stainless Steel Effect/Black
Timer	Yes
Cut Out	105mm
Air Volume (cbm)	74.8
Noise Level (Db)	35
IP Rating	IPX4
Guarantee	2 Years



SHOWERLIGHT FAN

WITH LED LIGHT AND TIMER



Highly reliable fan in a modular design for ease of installation and maintenance. The fan light is designed to provide light/extraction over shower cubicles and is manually operated by a remote switch (not included) and also features a timer control. The fan comes with a fixing bracket and is compact and ductable over short lengths (3m).

The kit contains the fan with timer, 3m flex duct, ties, 12Vdc LED lamp in either natural or cool white, chrome and white grilles and an external grille.

PART CODE & DESCRIPTION	
Shower Fan Kit with Natural or Cool White LED	SY7688A/NW or CW

TECHNICAL INFO	
Finish	White or Chrome
Timer	Yes
Cut Out	100mm
Air Volume (cbm)	108
Noise Level (Db)	39
IP Rating	IPX4
Guarantee	2 Years
LED Wattage	NW - 3.6W WW - 4W

DUAL VOLTAGE SHAVER SOCKET CHROME

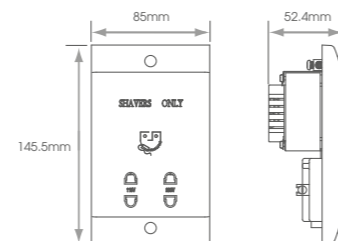


This Dual Voltage shaver socket is available in a chrome plated finish with a bevelled edge.

PART CODE & DESCRIPTION

Dual Voltage Shaver Socket 240/110V Chrome SY9660CC

This shaver socket is suitable for use in bathrooms as required by IEE wiring regulations BS7671: 2001 Section 601



DUAL VOLTAGE SHAVER SOCKET WHITE

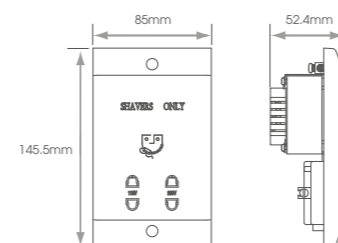


This Dual Voltage shaver socket is available in a white finish with square edges.

PART CODE & DESCRIPTION

Dual Voltage Shaver Socket 240/110V White SY9258

This shaver socket is suitable for use in bathrooms as required by IEE wiring regulations BS7671: 2001 Section 601



DUAL VOLTAGE SHAVER SOCKET BLACK

NOUVEAU
NOIR

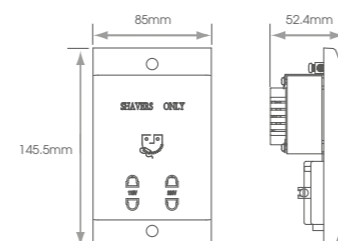


This Dual Voltage shaver socket is available in a matt black finish with square edges.

PART CODE & DESCRIPTION

Dual Voltage Socket 240/110V Black SY9660BK

This shaver socket is suitable for use in bathrooms as required by IEE wiring regulations BS7671: 2001 Section 601



BATHROOM REGULATIONS

All installations must comply to guidelines based on the zonal requirements. These regulations apply to domestic installations only.

SycamoreLED.com recommends that all electrical work carried out is done by a suitably qualified electrician in accordance with the current IET wiring regulations (18th edition).

Bathroom lights are classified using an IP (Ingress Protection) rating. The IP characters are followed by 2 numbers which refer to the level of protection against the ingress of foreign bodies (1st number) and protection against the ingress of liquids (2nd number).

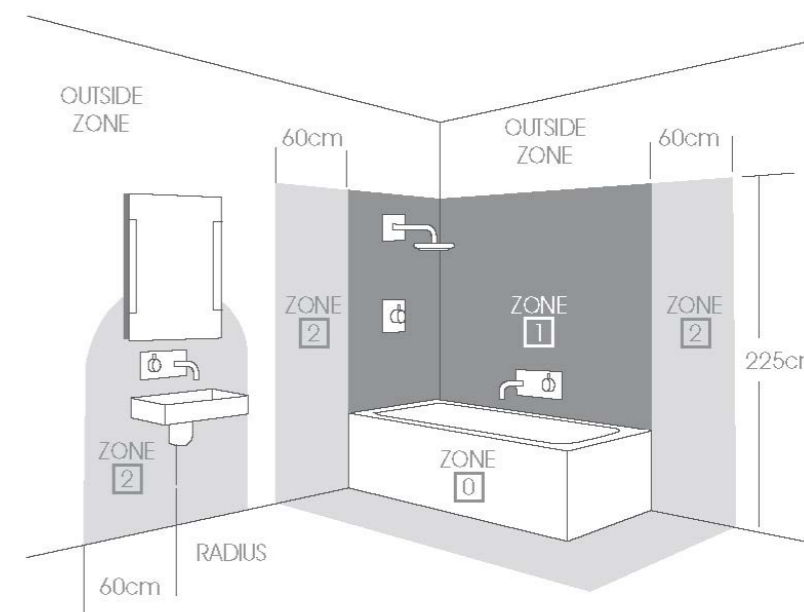
Zone 0 - is inside the bath or shower. Any fitting used in this zone must be low voltage (max 12v) and be rated at least IP67 (immersion proof).

Zone 1 - is an area above the bath to a height of 2.25m from the floor. In this zone a minimum rating of IPX4 is required.

Zone 2 - is an area stretching 0.6m outside the perimeter of the bath and to a height of 2.25m from the floor. In this zone a minimum of IPX4 is required. Around a wash basin, a radius within 60cm is considered as zone 2.

Outside zones - has no special requirements unless water jets are likely to be used for cleaning purposes.

All zones - any electrical circuits in a bathroom must be protected by a 30 mA Residual Current Device (RCD). Electrical equipment exposed to water jets for cleaning purposes must be at least IPX5.



First digit - Solids						
0	1	2	3	4	5	6
No protection	Protected against touch by hand (50mm)	Protected against touch by fingers (12mm)	Protected against tools and wires (2.5mm)	Protected against tools and small wires (1mm)	Limited dust ingress protection	Total dust ingress protection

Second digit - Liquids								
0	1	2	3	4	5	6	7	8
No protection	Protection against condensation	Protection against water spray 15 degree from the vertical	Protection against water spray 60 degree from the vertical	Protection against water spray from any direction	Protection against low pressure water jets from any direction	Protection against high pressure water jets from any direction	Protection against immersion between 15cm and 1m depth	Protection against long term immersion under pressure

Looking for further assistance?

Please call our dedicated technical team for help with bathroom regulations, lighting plans or any other technical queries

T: 0113 2866686 or email tech@sycamoreLED.com

GLOSSARY OF ICONS AND TECHNICAL DATA

	Indicates the compliance with the low voltage and electromagnetic compatibility
	Indicates the compliance with the applicable requirements from products sold within the UK.
	Class I lighting: includes earth protection as a complementary security measure against electrical shocks
	Class II lighting: includes a reinforced or double insulation as a protection against electrical shocks
	Class III lighting: the protection against electrical shocks comes from the supply of very low voltage tension
	Suitable for installation on normally combustible surfaces
	Suitable for use in furniture
	For indoor use only
	WEEE Compliant
	ROHS compliant
	Our products carry a 5-year warranty. This excludes battery operated products, accessories, pendant lighting and power ports. Please refer to our website for further information on our terms and conditions
	This product can be changed from warm/natural/cool white LED using a built in buttons or remote (see individual product spec).
	This product can be changed from warm/natural/cool white LED and dimmed using a built-in switch.
	The product features a built-in Bluetooth Speaker to stream music from connected devices.
	Dimmable using built in controls. (mirrors and cabinets only)
	This product features a built-in shaver socket.
	The product features USB ports for charging purposes. Please see individual specification for further details.
	This product features a built-in demister pad.
	The product will switch on when a built-in button is physically touched. Touch again to turn off.
	This product features a built-in wireless charger for charging compatible devices.
	This product features a rechargeable lithium battery (changed via USB)
	The product will switch on once a hand is waved within a specified distance from the sensor. Wave again to turn off.
	This product will switch on when it senses movement within a specific range, and switch off once no further motion is detected.
	The product will switch on connected lights when the door is opened. Close door to switch off.

Colour Appearance and Colour Temperature
The most common terminology is to classify colour temperature as one of three options. These being warm white (approx 3000k), natural white (approx 4000k) and cool white (approx 6000k).

Colour Rendering Index (CRI)
This is a figure that indicates the accuracy of the reflective surface colour of an object when subjected to artificial light. For example an object in daylight on a reasonably sunny day will be subject to a CRI of 100 from the light source, which in this case would be daylight, the sun. Theoretically the colour of an object will be 100% true.

Once the same object is placed into a dark room and a light fitting with a CRI of 85 is illuminating it, then the colour of that object will be 85% of its true colour. Therefore the higher the CRI, the more accurate the colour.

Colour temperature has a bearing on this as a white object would appear "yellow" if illuminated by a warm white light source. Careful consideration has to be taken to ensure that the correct type of light with the correct CRI and colour temperature is selected for any given installation.

A CRI of 80 is the minimum standard.

Total Lumens
This relates to the amount of light (lumens) emitted from a light fitting in relation to the amount of power it uses to create this output. There are now regulations in place that state minimum lumens per watt criteria and any lights that do not conform aren't able to be used in certain applications. Advice should always be taken to ensure that the correct lighting is used on any installation.

Beam Angles
The beam angle of a light fitting allows the installer to determine the spacing of light fittings as to achieve the most uniform, consistent lighting onto the desired area.

Sustainability Matters

At Sycamore Lighting, we understand the need for sustainable products and practices to meet the needs of our current customers & stakeholders, without compromising the ability of future generations to meet their own needs. Please visit our website for our full Sustainability Matters promise.

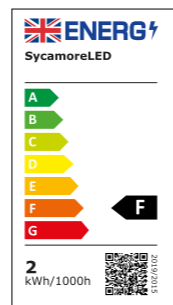


ERP Directive

ERP Directive effective from 5th December 2019, commission regulation (EU) No 2019/2020 laid down new eco-design requirements for light sources and separate control gears.

Furthermore, the energy labelling was newly regulated and simplified in scope and was introduced for light sources from 1st September 2021.

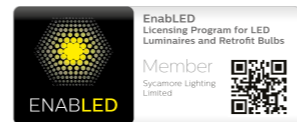
A typical ERP label is shown.



EnabledLED

LEDs and LED controls are the future of lighting, and as LED capabilities continue to evolve and expand, new markets are opening up all the time. Developing new, innovative solutions for tomorrow's new LED applications takes significant investment in research and design, so by joining the EnabledLED licensing program, Sycamore LED has gained access to over 490 Signify inventions and patented technologies, which we can now build into our own products. With access to these cutting-edge technologies, we can gain greater freedom to design optimal solutions for our products. We can shorten our time to market and also achieve an excellent balance of cost-to-quality including cost-effectiveness in our component sourcing.

Please visit www.signify.com/enabled to confirm which companies are currently licensed in the scheme and what the EnabledLED licensing program covers in more detail.



TERMS & CONDITIONS

- DEFINITIONS:** a) The "seller" means Sycamore Lighting Ltd. b) The "buyer" means the person who buys or agrees to buy the goods from the seller. c) The 'goods' means all items which the buyer agrees to buy from the seller.
- GENERAL:** Orders are only accepted subject to the Conditions of Sale set out below and the seller shall not be bound by any other terms, written, verbal or implied, or which are conditions customary in the trade and whether contained in customer's order or not. These conditions shall apply unless expressly varied by the seller in writing.
- TERMS:** Credit accounts are nett strictly within 30 days. Interest at a rate of 3% per annum above NatWest base rate, together with any expenses incurred in collecting payments, will be added to the agreed price in respect of any part thereof not paid, on or before the due date. Where a new account is to be opened two trade references are required. The seller has the right to discontinue delivery without notice if the buyer defaults in payment, or if circumstances warrant such discontinuance. The seller also has the right to refuse credit terms to a buyer for any reason. Pro-forma orders will only be delivered when the seller has received payment in full, including confirmed clearance of any cheque.
- PRICES:** Whilst every endeavour will be made to deliver at the prices quoted, the seller reserves the right to invoice at the price ruling at the date of delivery. All prices are subject to VAT at the rate prevailing at the date of invoice.
- RISK AND DELIVERY:** a) Goods are delivered to the buyer when the seller makes them available to the buyer (or any agent of the buyer) at the seller's premises or other delivery point agreed by the seller and risk in the goods passes when they are delivered to the buyer. b) The seller shall not be liable for any penalty, loss, injury, damage or failure in delivery from any cause at all nor shall any such delay or failure entitle for any buyer to refuse to accept any delivery or to repudiate the contract. c) Any dates quoted by the seller for delivery of the goods are approximate only and shall not form part of the contract and the buyer acknowledges that in the performance expected of the seller no regard has been paid to any quoted delivery dates.
- CARRIAGE AND ADMINISTRATION CHARGES:** An administration charge of £5.00 will be added to all orders under £30.00. A carriage charge of £8.50 will be added to all invoices on orders of under £150.00 excluding VAT to UK mainland addresses. All offshore islands and EC countries will incur a separate delivery charge, based on the weight of the total order. Please note administration and delivery charges are subject to change without prior notice.
- CLAIMS:** Claims must be notified in writing within seven days of receipt, otherwise responsibility cannot be accepted. The seller's liability shall be limited to, at the seller's option, replacing the goods or refunding the price of the goods. Under no circumstances shall the liability of the seller exceed the price of the goods. Replacements for damaged goods will be charged and credit issued on the return of the damaged goods to the seller in the original packaging.
- RETENTION OF TITLE:** a) In spite of delivery having been made, property in the goods shall not pass from the seller until payment in full of the price by the buyer. B) Notwithstanding delivery, property in the goods shall not pass from the seller until all other sums owed by the buyer to the seller have been paid in full. c) Until payment in full for the goods, the buyer shall hold the goods on a fiduciary basis as a bailee for the seller. d) Whilst the buyer has the right to dispose of the goods in the ordinary course of business on a bona fide sale without notice to the customer of the seller's rights hereunder, the entire proceeds of sale or otherwise of the goods shall be held in trust for the seller until payment in full for the goods. e) Until payment in full for the goods the buyer hereby grants the seller the right to enter any premises where the goods are stored in order to re-possess or inspect them.
- BREACH AND INSOLVENCY:** If the buyer breaches any condition of this contract or becomes subject to an Administration Order or becomes bankrupt or has a receiver appointed for or distress is levied on any part of its assets or business or goes into liquidation or makes any composition with its creditors, the seller shall be entitled (whether in respect of this contract or any other) to: a) Withhold any further deliveries to the buyer and/or cancel the contract without liability; b) Appropriate any payment made by the buyer to such of the goods (whether supplied under this contract or any other) as the seller shall think fit; c) Immediate payment of all sums whatever, owing by the buyer to the seller notwithstanding any previous agreement to the contrary; d) Exercise any of its right pursuant to clause 8 above.
- PRODUCT INFORMATION:** Although the seller shall use its best endeavours to ensure that the information contained in the seller's catalogue is correct at the time of going to press, the seller shall not be under any liability for any damage, loss or expense resulting from any error or omission contained in the seller's catalogue. Goods supplied may vary in detail from the illustrations, drawings and descriptions (which are approximate and for guidance only) in the seller's catalogue as a result of improvements or modifications. Colour finishes will be maintained as accurately as possible, but matching cannot be guaranteed.
- FORCE MAJEURE:** The seller shall not be liable for any default due to any act of God, war, strikes, lock-outs or other industrial action, difficulties in obtaining labour or parts, government or other restrictions or regulations or other event beyond the reasonable control of the seller.
- LAW AND JURISDICTION:** All disputes arising out of or in connection with the contract shall be governed by English law and the buyer accepts the jurisdiction of the Courts Of England.
- RETURN AND RESTOCKING:** When goods are agreed for a return or cancellation the buyer shall pay a handling or restocking charge to cover administration and inspection charges involved in reprocessing products back into stock. The charge will be subject to change without prior notice but is currently 25% of the invoiced value of the goods. Non standard and special items ordered by the buyer cannot be accepted for return.
- GUARANTEES:** Terms and conditions apply to the guarantees, and lamp life of our products. Please refer to our website for further details.
- CUT OUT SIZES AND DIMENSIONS:** These are correct at time of printing. We do not recommend any holes are cut until goods are received and checked.

The company reserves the right to alter technical details without prior notification.



Order by phone: 0113 286 6686

Order by email: sales@sycamoreled.com

Order online: www.sycamoreled.com

*account holders only, apply online.



SycamoreLED.com
Unit 5A, Helios 47
Isabella Road
Garforth, Leeds
LS25 2DY



www.sycamoreLED.com



Tel: +44 (0)113 286 6686

sales@sycamoreLED.com

tech@sycamoreLED.com